

LPE 58


payprint
tech solutions



Compact thermal panel printer

Main features:

- Easy fixing system
- Paper width 58 mm; roll diameter 40 mm
- Safe and reliable

Applications:

- Measurement Instruments
- Analysis instruments
- Sterilization equipments
- Weighing systems
- Industrial Systems
- Test bench
- Control panels



Stampante termica compatta da pannello

Caratteristiche:

- Sistema di fissaggio con clips
- Larghezza carta 58 mm; diametro del rotolo 40 mm
- Sicura ed affidabile

Caratteristiche:

- Strumenti di misura
- Strumenti di analisi
- Sterilizzatrici
- Sistemi di pesatura
- Sistemi industriali
- Banchi prova
- Pannelli di controllo

www.payprint.it

Model: LPE58

 Printer colour: Grey White (with neutral cover)
 or Dark Grey (with Grey Fumé cover)

Paper feed Led colour: Blue

Printing method: Thermal printing

Printing mechanism: Seiko LTPZ245N

Printing direction: Data; Text

Printing area: 48 mm

Resolution: 384 dots/line

Paper cutter: Manual (tear bar on the printer body)

Columns: 24/40

Default font: ASCII standard, international

User font: Capability to store a customer defined font and to switch run time from default to user and vice versa

Font selection: Run time switchable from default to user and vice versa

Supported Barcode: UPC-A; UPC-E; EAN13; EAN8; CODE39; ITF; CODABAR; CODE93; CODE128

Baud rate: 1200÷115200 bps

User logo: Capability to store a custom logo and to print it with a simple command

Sensors: Paper present; Head temperature

Paper requirements: thermal paper; paper width: 58 mm; max diameter roll: 40 mm; thickness: max 60g/m2

Power supply: 5 VDC - 10,5÷36 VDC

Communication interfaces: Serial TTL - Serial RS232C - Parallel Centronics

Dimensions: H75 x W80 x D41 mm

Weight: 130 grams

Mounting: Panel mounting

Fixing system: Plastic clips

Technical features can be changed without any previous notice.

LPE 58

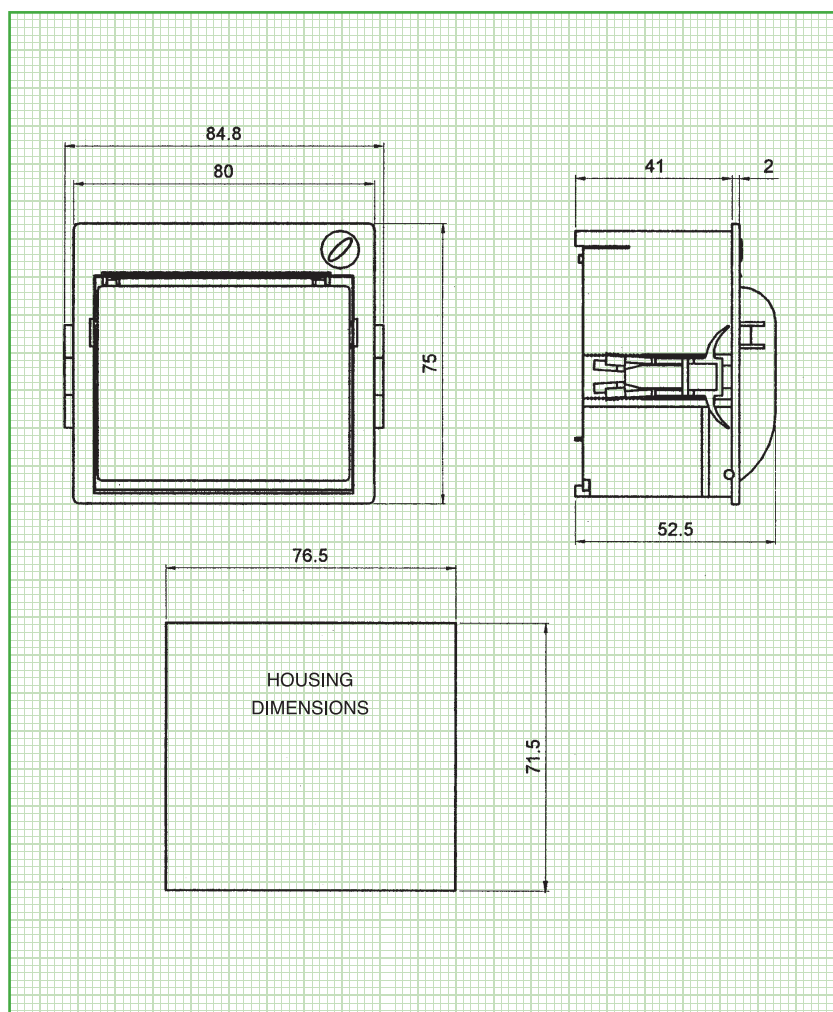
TABLE OF MODELS, ACCESSORIES AND ORDERING CODES

model – ordering code	interface	power supply
PAY-PFI-1730 white	Serial TTL	5 Vdc
PAY-PFI-1731 grey	Serial TTL	5 Vdc
PAY-PFI-1720 white	RS232C	5 Vdc
PAY-PFI-1721 Grey	RS232C	5 Vdc
PAY-PFI-1710 White	RS232C+ parallel CX	9-36Vdc
PAY-PFI-1711 Grey	RS232C+ parallel CX	9-36Vdc
PAY-PFI-1701 Grey	W/O board, W feed button	
PAY-PFI-1702 Grey	W/O board, W/O feed button	

model – ordering code	power supply cables
PAY-CAV-0140	Power Supply Cable 5V
PAY-CAV-0141	Power Supply Cable 9-36V

model – ordering code	interface cables
PAY-CAV-0142	TTL Serial Cable
PAY-CAV-0143	RS232C Serial Cable
PAY-CAV-0144	Parallel Cable

model – ordering code	paper roll
PAY-ROT-5217	RT 58/40



Distribuito da / Distributed by