

Ever since its foundation in 1979, **NIPPON PRIMEX INC.** has achieved the position of top dealer of mini printers in the industrial peripheral equipment field in Japan.

A development and manufacturing department, **NIPPON PRINTER ENGINEERING INC.**, was established in 1986. This department has provided high performance and reliable products both in hardware and software to our customers. In 2006, We enlarged and transferred it to the foot of Mt. Fuji. It became the largest mini-printer factory in the world. All printers of **NIPPON PRIMEX INC.** are designed and manufactured at this factory by skillful experts.

We continue developing the unique products which other companies do not offer. If you are looking for Mini Printer, please contact us "**overseas@primex.co.jp**".



NIPPON PRIMEX INC.



NIPPON PRINTER ENGINEERING INC.

**OEM products to completely meet your requirement**

All the product on the catalog is just an example. We can customize our printer as an OEM product to completely meet your requirement.

Our clients are, Canon, CASIO, COMOTA, DENSO, Diebold, DNP, Flextronics, Fujifilm, Fujitsu Frontech, GLORY, Hamag, Hitachi, IBM, JCM, Kodak, LAUREL PRECISION MACHINES, Mars Engineering, Mitsubishi Electric, Nabtesco, NAMCO, NEC, Omron, Panasonic, PFU, Sharp, SoftBank, Sysmex, Tatsuno, Teraoka Seiko, TESCO, Toshiba, Wincor Nixdorf, and others, more than 700 companies. For most of those companies, we customized the printers as OEM products.

Please contact us, "**overseas@primex.co.jp**" about your OEM product.

**NP is the world brand of kiosk printer**

**PRODUCTS GUIDE**

**Autumn 2018**

**KIOSK PRINTER  
PRINTER MODULE  
DESKTOP PRINTER  
PORTABLE PRINTER**



## NEW MODEL

## Mega font

### NEX-T3202U / NEX-T3202R

We newly introduce **Mega font** at default setting to provide for maximizing the legibility of printed receipt/ticket.

- Through put enhancement by compressed data transfer
- Supporting horizontal/wall-mount



Model name	NEX-T3202U / NEX-T3202R			
Print method	Direct line thermal dot			
Print speed	Max. 200mm/sec.			
Resolution	8dots/mm (203dpi)			
Gradation	Simulated 8 gray scale			
Number of dots / line	576dots (Default)	512dots	432dots	360dots
Paper width	80mm(Default)	80mm	58mm	58mm
Print width	72mm(Default)	64mm	54mm	45mm
Paper diameter	Max.φ83mm			
Character	USA, Standard Europe, Euro, Arabic, Thai, Eastern European, Cyrillic, Latin, Greek, Turkish			
Barcode	UPC-A / E, EAN-13 / 8, CODE39, CODE93, ITF, CODABAR, CODE128, QR Code (model2), PDF417			
Interface	NEX-T3202U: USB(V2.0 full speed) , NEX-T3202R: Serial(RS232C)			
Cutter	Partial cut (a tab left at the center)			
Operating voltage	DC24V			
External dimensions	143(W)x190(D)x142(H)mm			

## NEW MODEL

### NEX-C200B / NEX-C200U / NEX-C200R

**Bluetooth** (Only for NEX-C200B)

- Super compact and low price.
- Supporting horizontal/wall-mount



Model name	NEX-C200B	NEX-C200U	NEX-C200R
Print method	Direct line thermal dot		
Print speed	Max.100mm/sec. (DC 9.0V)		
Resolution	8dots/mm (203dpi)		
Number of dots / line	384dots		
Paper width	58mm		
Print width	48mm		
Paper diameter	Max.φ50mm		
Character	International, English, Polish, Russian, Scandinavian, Turkish,		
Barcode	UPC-A, UPC-E, EAN-13, EAN-8, CODE39, ITF, CODABAR, CODE128, QR Code (model2) Linked QR code (model2)*1, Micro QR code*1		
Interface	Bluetooth(V2.1+EDR) USB(V2.0 full speed)	USB (V2.0 full speed)	Serial (RS232C)
Cutter	Tear Bar		
Operating voltage	9.0V (An exclusive power supply is bundled.)		
External dimensions	78(W)x112(D)x59(H)mm		

\*1. Only for NEX-C200B (Bluetooth I/F model)

### NEX-T2002UH

### NEX-T2001D / NEX-T2002D

- Easy operation due to roll paper "Drop-in" type
- Supporting horizontal/wall-mount
- Compact and Light weight



Model name	NEX-T2001D	NEX-T2002D	NEX-T2002UH
Print method	Direct line thermal dot		
Print speed	Max.90mm/sec.		Max.150mm/sec.
Resolution	8dots/mm (203dpi)		
Number of dots / line	384dots		432dots
Paper width	58mm		
Print width	48mm		54mm
Paper diameter	Max.φ83mm		
Character	International, USA, Standard Europe, Euro, Arabic, Thai, Polish, Russian, Scandinavian, Greek, Turkish		
Barcode	UPC-A, UPC-E, EAN-13, EAN-8, CODE39, CODE93, ITF, CODABAR, CODE128, QR Code (model2), PDF417		
Interface	USB (V2.0 full speed) and Serial (RS232C)		USB (V2.0 full speed)
Cutter	Tear Bar	Partial cut (a tab left at the center)	Partial cut (a tab left at the center)
Operating voltage	DC8.5V		DC24V
External dimensions	89.5(W)x175(D)x113(H)mm		

●: Standard ○: Option

### Receipt Printer

Model name	Page	Voltage (DC)	Power supply (Option)	Auto cutter	Presenter	LED bezel	Large roll paper	Thick paper	Interface		
									USB	RS232C	Parallel
NP-K2011R	2	5-8.5V	—	—	—	—	—	—	—	●	—
NP-K2012R	2	5-8.5V	—	●	—	—	—	—	—	●	—
NP-K2042DM	2	12V	—	●	—	—	—	—	●	●	—
NP-K3042D	2	24V	PS11-E2/U2	●	—	—	—	—	●	●	—
NP-K2052D/K3052D	2	24V	PS11-E2/U2	●	—	—	—	—	●	●	—
NP-K2053D/K3053D	2	24V	PS11-E2/U2	●	●	—	—	—	●	●	—
NP-2411D/3411D	3	24V	PS11-E2/U2	●	○	○	○	●	●	●	—
NP-2511D/3511D	3	24V	PS11-E/U	●	○	○	○	●	●	●	—
NP-2511XD/3511XD	3	24V	PS11-E/U	●	○	○	○	●	●	●	—
NP-2611AD/3611AD	4	24V	PS11-E/U	●	○	○	○	●	●	●	—
NP-2611BD/3611BD	4	24V	PS11-E/U	●	○	○	●	●	●	●	—
NP-2651D/3651D	4	24V	PS11-E/U	●	—	—	●	●	●	●	—
NP-3711U	4	24V	PS11-E2/U2	●	○	○	○	●	●	—	—
NP-G30D	4	24V	PS11-E3/U3	●	●	—	○	●	●	●	—
NP-4511D	4	24V	PS11-E/U	●	○	—	○*1	●	●	●	—
NP-KV20U, NP-KV30U	6	24V	PS11-E2/U2	●	—	—	○	●	●	—	—
NP-KV20D/B, NP-KV30D/B *2	6	24V	PS11-E2/U2	●	○	○	○	●	●	●	—
NP-2R20D/2R30D	7	24V	PS11-E/U	●	●	—	—	—	●	●	—
NP-211D	7	7-14V	PS13-E/U	—	—	—	—	—	●	●	—
NP-2701D	9	24V	PS11-E2/U2	●	○*3	○*3	—	—	●	●	—
NP-2705D	9	24V	PS11-E2/U2	●	—	—	—	—	●	●	—

### Face Mount Printer

Model name	Page	Voltage (DC)	Power supply (Option)	Auto cutter	Presenter	LED bezel	Large roll paper	Thick paper	Interface		
									USB	RS232C	Parallel
NP-F2092D	8	12V	—	●	—	—	—	—	●	●	—
NP-F3092D	8	24V	PS11-E2/U2	●	—	—	●	—	●	●	—
NP-F3692D	8	24V	PS11-E2/U2	●	○	○	●	●	●	●	—

### Pannel Mount Printer

Model name	Page	Voltage (DC)	Power supply (Option)	Auto cutter	Presenter	LED bezel	Large roll paper	Thick paper	Interface		
									USB	RS232C	Parallel
NP-P2081D	9	5V-9V	*4	—	—	—	—	—	●	●	—
NP-P2061M	9	5V-8.5V	PS13-E/U	—	—	—	—	—	●	●	●
NP-P2062M	9	5V-8.5V	PS13-E/U	●	—	—	—	—	●	●	●
NP-P20AR	9	5V-8.5V	—	—	—	—	—	—	—	●	—

### Ticket Printer

Model name	Page	Voltage (DC)	Power supply (Option)	Auto cutter	Presenter	LED bezel	Large Roll paper	Thick paper	Interface		
									USB	RS232C	Parallel
NP-3512D	10	24V	PS11-E/U	●	—	○	—	●	●	—	—
NP-3513D	10	24V	PS11-E/U	●	—	○	—	●	●	—	—
NP-3A11AU	10	24V	PS11-E2/U2	●	—	—	○	●	—	—	—
NP-QRP	10	24V	PS11-E2/U2	—	—	—	—	—	—	●	—

### Journal Printer

Model name	Page	Voltage (DC)	Power supply (Option)	Auto cutter	Presenter	LED bezel	Large roll paper	Thick paper	Interface		
									USB	RS232C	Parallel
NP-J312D	11	24V	PS11-E2/U2	—	—	—	—	—	●	●	—
NP-2551D/3551D	11	24V	PS11-E/U	—	—	—	—	—	●	●	—

\*1. The optional paper holder is TBA.  
 \*2. NP-KV20BM/BK and NP-KV30BM/BK come equipped with Bluetooth interface, also.  
 \*3. Only for NP-2701D-B.  
 \*4. PS13-E/A can be used by attaching an optional 2 pin converter.

**NEW MODEL**

**NEX-M3302W / NEX-M3302B**

Desktop Mobile

**Mega font**



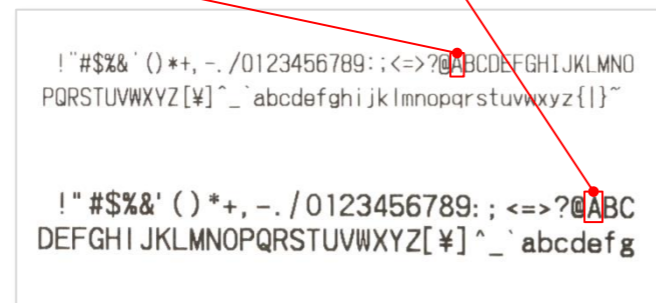
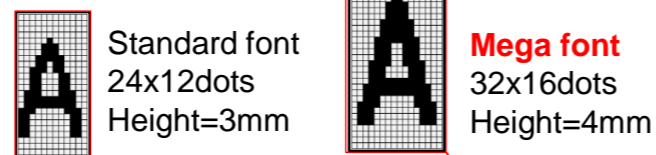
Black color is also available.

**-M3302W for Wireless LAN model**  
**-M3302B for Bluetooth model**

**Auto-cutter included**  
**Sophisticated design**  
**Long-life battery drive**

**Mega font**

We newly introduce **Mega font** at default setting to provide for maximizing the legibility of printed receipt/ticket.



An example of the receipt. (Paper width 80mm)

**Auto-cutter included**  
**Sophisticated design**  
**Long-life battery drive**

- Dual interface (USB 2.0 / Bluetooth)
- Drivers and SDK for Windows, iOS and Android
- Bluetooth for iOS (MFi is acquired)

Model name	NEX-M2302B	
Print method	Direct line thermal dot	
Print speed	Max.100mm/sec.(DC8.5V)	
Resolution	8dots/mm(203dpi)	
Number of dots / line	384dots(Default)	
Paper width	58mm(Default)	
Print width	48mm(Default)	
Paper diameter	Max.φ50mm	
Barcode	UPC-A, UPC-E, EAN-13, EAN- 8, CODE39, CODE93, CODE128, ITF, CODABAR, GS1 Data Bar, QR Code (model2), PDF417	
Interface	Bluetooth (V2.1+EDR), USB (V2.0 full speed)	
Cutter	Full cut and Partial cut (by Memory switch)	
Character	International, English, Polish, Russian, Scandinavian, Turkish, Japanese	
Options	Power Supply(PS13), Lithium-ion battery (NBP-225A), Battery Charger, Carrying case	
External dimensions	91(W)x148.5(D)x63.5(H)mm	

**NEX-M2302B**

Desktop

Mobile



Made for iPod iPhone iPad



**Bluetooth connection**

Tablet computer  
Smartphone  
(iOS, Android OS)

Color variations are optional.



**NP-K2011R / NP-K2012R**

NP-K2012R



**Smallest Printer Module**

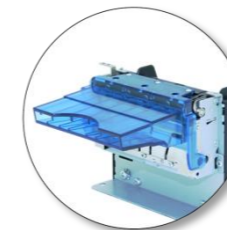
- Low price, all in one printer module
- Mechanism, auto cutter, control board and interface are built in
- Easy paper loading by patent platen cover

Model name	NP-K2011R	NP-K2012R
Print method	Direct line thermal dot	
Print speed	Max.50mm/sec.	
Resolution	8dots/mm (203dpi)	
Number of dots / line	384dots	
Paper width / Print width / Paper diameter	58mm/48mm/Max.φ80mm	
Character	International and Japanese	
Barcode	UPC-A, UPC-E, EAN-13, EAN-8, CODE39, ITF, CODABAR, CODE128	
Interface	Serial (RS232C)	
Cutter	Tear bar	Auto cutter
Operating voltage	DC5~8.5V, DC5V (circuit voltage)	
External dimensions	81.9(W)x 55.5(D)x 39.4(H)mm	

Receipt Printers

**NP-K2042D / NP-K3042D**

NP-K2042D



Bezel (BEZ-520) is an option for NP-K2042D

NP-K3042D



**Small profile, depth and footprint**

- Low price, super compact kiosk printer
- Easy paper loading by patent platen cover
- Paper jam free
- Optional paper near end sensor is attachable

Model name	NP-K2042DM	NP-K3042D
Print method	Direct line thermal dot	
Print speed	Max.100mm/sec.	Max.150mm/sec.
Resolution	8dots/mm (203dpi)	
Number of dots / line	384dots	576dots
Paper width / Print width / Paper diameter	58mm/48mm/Max.φ80mm	80mm/72mm/Max.φ80mm
Character	International, Japanese, Polish, Russian, Scandinavian, Turkish	
Barcode	UPC-A, UPC-E, EAN-13, EAN-8, CODE39, ITF, CODABAR, CODE128, CODE93, GS1 DataBar, QR Code (model2)	
Interface	USB (V2.0 full speed) and Serial (RS232C)	
Cutter	Full cut and Partial cut (by command)	
Operating voltage	DC12V	DC24V
External dimensions	86(W)x132.5(D)x70(H)mm	114(W)x132.5(D)x70(H)mm

**NP-K2052D / NP-K2053D**  
**NP-K3052D / NP-K3053D**

NP-K2052D



Bezel (BEZ-520) is an option for NP-K2052D

NP-K3053D



**Revolutionary drop-in type**

- Short profile of **88.6mm** including paper
- High speed printing up to **150mm/sec.**
- NP-K2053D/K3053D come equipped with simple presenter

Model name	NP-K2052D	NP-K2053D	NP-K3052D	NP-K3053D
Print method	Direct line thermal dot		Direct line thermal dot	
Print speed	Max. 150mm/sec.		Max. 150mm/sec.	
Resolution	8dots/mm (203dpi)		8dots/mm (203dpi)	
Number of dots / line	432dots		576dots	
Paper width / Print width / Paper diameter	58mm/54mm/Max.φ80mm		80mm/72mm/Max.φ80mm	
Character	International, Japanese, Polish, Russian, Scandinavian, Turkish			
Barcode	UPC-A, UPC-E, EAN-13, EAN-8, CODE39, ITF, CODABAR, CODE128, CODE93, GS1 DataBar, QR Code (model2)			
Interface	USB (V2.0 full speed) and Serial (RS232C)			
Cutter	Full cut / Partial cut (by command)	Full cut	Full cut / Partial cut (by command)	Full cut
Operating voltage	DC24V		DC24V	
External dimensions	91.1(W)x133.4(D)x88.6(H)mm	91.1(W)x167.7(D)x88.6(H)mm	111.1(W)x133.4(D)x88.6(H)mm	111.1(W)x167.7(D)x88.6(H)mm

## NP-2411D / NP-3411D

Lock-free Cutter Thick Paper

### Small-footprint

- Lock-free cutter
- Operating temp:-15°C~60°C
- Paper thickness: 59~150µm
- High speed printing up to **150mm/sec.**
- **Optional LED Bezel** is attachable

Model name	NP-2411D		NP-3411D	
Print method	Direct line thermal dot			
Print speed	Max.150mm/sec.			
Resolution	8dots/mm (203dpi)			
Number of dots / line	416dots (Default)	432dots	576dots (Default)	560dots
Paper width	58mm(Default)	60mm	80mm(Default)	76mm
Print width	52mm(Default)	54mm	72mm(Default)	69mm
Paper diameter	Max.φ83mm			
Character	International, English, Greek, Polish, Russian, Scandinavian, Turkish, Chinese, Korean, Japanese			
Barcode	UPC-A, UPC-E, EAN-13, EAN-8, CODE39, ITF, CODABAR, CODE128, QR Code (model2)			
Interface	USB (V2.0 full speed) and Serial (RS232C)			
Cutter	Full cut and Partial cut (by command)			
Operating voltage	DC24V			
External dimensions	103.6(W)x123.5(D)x77.3(H)mm		124.6(W)x123.5(D)x77.3(H)mm	

NP-2411D

\*LED Bezel is an option

NP-3411D

\*LED Bezel is an option

## NP-2511D / NP-3511D

High speed Lock-free Cutter Thick Paper

**Print speed : Max. 200mm/sec.**  
**Operating temperature : -20°C~60°C**

- High repeatability of **16 gray scale**, **2D barcode printing (QR code (model2), PDF417)**
- Lock-free cutter
- Paper thickness:59~150µm
- Optional LED Bezel is attachable

Model name	NP-2511D / NP-2511XD			NP-3511D / NP-3511XD		
Print method	Direct line thermal dot					
Print speed	Max. 200mm/sec.					
Resolution	8dots/mm (203dpi)					
Number of dots/ line	416dots (Default)	432dots	448dots	576dots (Default)	560dots	640dots
Paper width	58mm(Default)	60mm	60mm	80mm (Default)	76mm	80mm
Print width	52mm(Default)	54mm	56mm(Max.)	72mm (Default)	70mm	80mm(Max.)
Paper diameter	Max.φ83mm					
Character	International, English, Greek, Polish, Russian, Scandinavian, Turkish, Chinese, Japanese					
Barcode	UPC-A, UPC-E, EAN-13, EAN-8, CODE39, ITF, CODABAR, CODE128, QR code (model2), PDF417					
Interface	USB (V2.0 full speed) and Serial (RS232C)					
Cutter	Full cut and Partial cut (by command)					
Operating voltage	DC24V (NP-2521:DC12V)					
External dimensions	NP-2511/NP-2521:106(W)x150(D)x75(H)mm			NP-3511:127(W)x150(D)x75(H)mm		
	NP-2511X:106(W)x170(D)x80(H)mm			NP-3511X:127(W)x170(D)x80(H)mm		

NP-3511D

\*LED Bezel is an option

## NP-2511XD / 3511XD

High speed Lock-free Cutter Thick Paper

**Paper Drop in type**

NP-3511XD

## Revolutionary new printer engine (Free from paper Jam)

Model name	NP-K2510A	NP-K3510A	NP-E2042M	NP-E205	NP-E305
Mechanisms					
Control board Flat cable					
Operating voltage	DC24V		DC12V	DC24V	
Paper width	58mm(Default), 60mm	80mm (Default), 65mm, 76mm, 82.5mm	58mm	58mm	80mm
Print width	52mm(Default), 54mm, 56mm	72mm(Default), 59mm, 70mm, 80mm	48mm	54mm	72mm
Total dots	448dots	640dots	384dots	432dots	576dots
Print speed	Max.200mm/sec.		Max.100mm/sec.	Max.150mm/sec.	
Auto-cutter	V-blade Guillotine method				
Paper thickness	59~150µm		59~75µm		
Dimension	94.8(W)x46.8(D)x49.4 (H)mm (incl. Guide)	115.8(W)x46.8(D)x49.4 (H)mm (incl. Guide)	81.2(W)x40.0(D)x21.6(H)mm	81.2(W)x40.0(D)x21.6(H)mm	101.2(W)x40.0(D)x21.6(H)mm
Reliability	150 km/1.5mil.cuts		50km/0.5mil.cuts	100km/1.0mil.cuts	

### Options

#### Presenter

**Extends the printers potential to meet specific requirements for ATM's and payment kiosks.**

NPT-306



NPT-308L



Model name	NPT-306	NPT-308L
Paper size	Width:58~80mm/Thickness:59~75µm	Width:58~80mm/Thickness:59~105µm
Transferable paper length	55~250mm	60~250mm
Transfer speed	Approx. 300mm/sec.	Approx. 300mm/sec.
Paper eject mode	Clamp mode/Retraction mode	Clamp mode/Retraction mode
Operating voltage	DC24V	DC24V
LED color	N/A	Blue/Red
External dimensions	91.6(W)x48.1(D)x45.7(H)mm	98.7(W)x59(D)x42.3(H)mm
Available printer model	NP-2411D, -2511D, -2511XD, -2611AD, -2611BD, -3411D, -3511D, -3511XD, -3611AD, -3611BD, -2701D-B, -F3692D, -KV20DM, -KV20DK, -KV20BM, -KV20BK, -KV30DM, -KV30DK, -KV30BM, -KV30BK	NP-2511D-3, -2611AD, -2611BD, -3511D-3, -3611AD, -3611BD, -KV20DM, -KV20DK, -KV20BM, -KV20BK, -KV30DM, -KV30DK, -KV30BM, -KV30BK

#### Bezel

BEZ-220



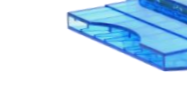
BEZ-320



BEZ-420



BEZ-520



Model name	BEZ-320	BEZ-330	BEZ-332
Available model	NP-2411D, -2511D, -2511XD, -2611AD, -2611BD, -2701D-B, -KV20DM, -KV20DK, -KV20BM, -KV20BK	NP-3411D, -3511D, -3511XD, -3611DA, -3611BD, -F3692D, -KV30DM/DK, -KV30BM/BK	NP-3512D, -3513D
LED color	Blue / Red		

Model name	BEZ-220	BEZ-221	BEZ-230	BEZ-231
Paper detection sensor	None	Yes	None	Yes
Available model	NP-2411D, -2511D, -2511XD, -2611AD, -2611BD, -2701D, -2705D	NP-3411D, -3511D, -3511XD, -3611D, -F3692D	NP-3411D, -3511D, -3511XD, -3611D, -F3692D	NP-3411D, -3511D, -3511XD, -3611D, -F3692D

Model name	BEZ-420 (w/o Paper sensor)	BEZ-430 (w/o Paper sensor)	BEZ-520 (w/o Paper sensor)
Available model	NP-F2092D	NP-F3092D	NP-K2042D, -K2052D

#### Paper holder / Paper Arm



UPH-LA

PH-8L



PH-10



Model name	UPH-LA	UPH-Arm150 UPH-Arm200	PH-10	PH-8L
Paper width	58mm/60mm/80mm	80mm	30~82.5mm	58~80mm
Max. Roll Paper Diameter	150mm/200mm		83mm	
Diameter of paper shaft	Outer:33.4mm, Inner:25.4mm		Outer: 18mm, Inner: 12mm	
Available printer model	NP-2411D, -2511D, -3411D, -3511D, -KV20/30 series	NP-G30D	NP-2411D, -2511D, -3411D, -3511D, -KV20/30 series <sup>2</sup>	NP-3411D <sup>2</sup> , -3511D <sup>2</sup> , -KV20/30 series <sup>2</sup>

\*1:PH-8L is standard for NP-3511D.

\*2:PH-10 is standard for NP-2411D, -3411D, -2511D, -2611DA, -3611DA, -KV20UK, -KV20DK, -KV20BK, -KV30UK, -KV30DK, -KV30BK.

#### Power Supply

PS11- E/U

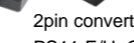
PS11- E2/U2

PS11- E3/U3

PS13- E/U



PS11-E



2pin converter PS11-E/U: Option

PS11-E2/U2, PS-11-E3/U3: Accessory

Model name	PS11-E / U	PS11-E2 / U2	PS11-E3 / U3*1	PS13-U/E
Input voltage	AC100V ~ 240V			
Output voltage	DC24V			DC8.5V
Output current	2.71A Typical			3.52A
DC output cable connector	3 pin	2 pin	DC φ5.5xφ2.1	
External dimensions	53(W)x114(D)x38(H)mm			50(W)x99(D)x33(H)mm

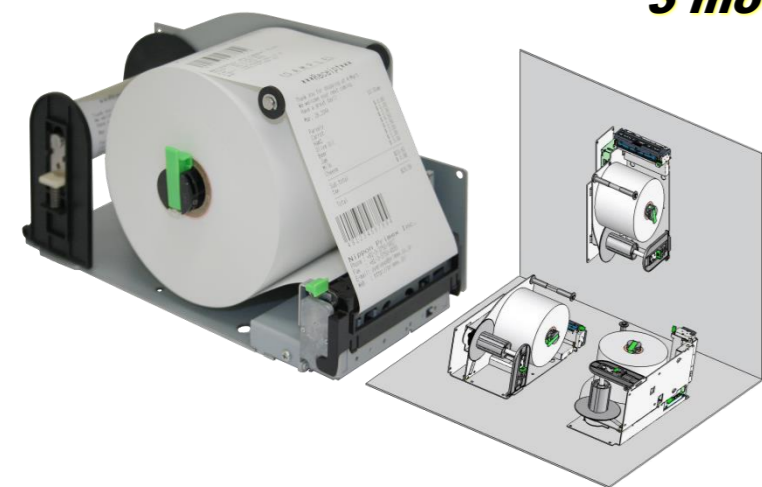
**P.12**

\*1: PS11-E3/U3 comes with the connector for protection against reverse connection.

## Journal Printers

### NP-J312D

**Large paper holder up to 120 mm O.D.  
3 mounting ways for easy installation**



Model name	NP-J312D
Print method	Direct line thermal dot
Print speed	Max.100 mm/sec
Resolution	8dots/mm (203dpi)
Number of dots / line	576dots
Paper width	80mm
Print width	72mm
Paper diameter	Max.φ120mm
Character	International, English, Polish, Russian, Scandinavian, Turkish, Japanese
Barcode	UPC-A, UPC-E, EAN-13, EAN-8, CODE39, ITF, CODABAR, CODE128, CODE93, QR Code (model2)
Interface	USB (V2.0 FULL SPEED) and Serial (RS232C)
Operating voltage	DC24V
External dimensions	124.1(W)x271.9(D)x137.6(H)mm

### NP-2551D / NP-3551D

**Stable winder structure by two-sided flange**

High speed



Model name	NP-2551D		NP-3551D	
Print method	Direct line thermal dot			
Print speed	Max.150 mm/sec			
Resolution	8dots/mm (203dpi)			
Number of dots / line	416dots (Default)	448dots (Option)	576dots (Default)	640dots (Option)
Paper width	58mm (Default)	60mm (Option)	80mm (Default)	76mm (Option)
Print width	52mm (Default)	56mm (Option)	72mm (Default)	80mm (Option)
Paper diameter	Max.φ83mm			
Character	International, English, Greek, Polish, Russian, Scandinavian, Turkish, Chinese, Korean, Japanese			
Barcode	UPC-A, UPC-E, EAN-13, EAN-8, CODE39, ITF, CODABAR, CODE128			
Interface	USB (V2.0 FULL SPEED) and Serial (RS232C)			
Operating voltage	DC24V			
External dimensions	110(W)x241(D)x110(H)mm		131(W)x241(D)x110(H)mm	

## Printer Drivers for Windows

NPI Printer Drivers are downloadable from NIPPON PRIMEX website

-Windows XP/Vista/Windows 7/8/8.1/10

-Linux (CUPS)

For Windows CE 6.0/XP Embedded, please contact us

Library for Android/iOS/Windows

## NPI Easy Print

NPI Easy Print is an integrated environment consists of GUI image designer, image control SDK and printer management SDK for Windows.

This SDK reduces lot of cost, time and resource to develop your software fully controlling the printer.

NPI Easy Print is provided to customers, who already have purchased NP printers, upon request.

### The merit of NPI Easy Print

Labor saving for software development

Reduces development costs !

(Example) Print image with 90 degrees rotated barcode image.

#### Without NPI Easy Print

#### With using NPI Easy Print

\*Device context creation,  
\*Drawing image,  
\*Barcode creation/composition,  
\*Image rotation,  
\*Printing functions, etc....

```
//PFDfile(NII EasyPrintprintingLayoutLoading)
NiiReadInfo("D:¥¥EasyPrint¥¥NIIEasyPrint.PFD");
//PrintingFormat1withPrinter1
NiiImagePrintEpW(L"Printer1", L"Format1", false, &hjid);
```

⇒ requires approx. 1000 lines of code

⇒ requires only 2 lines!!

P.11

## High Speed Printing Models (Receipt)

### NP-2611AD / NP-3611AD NP-2611BD / NP-3611BD NP-2651D / NP-3651D

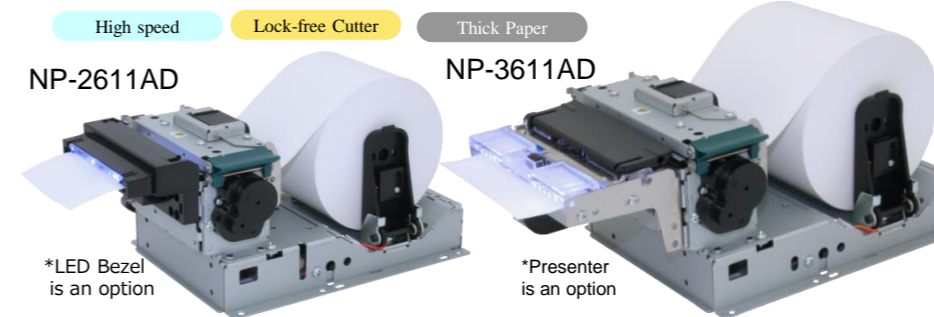
**Print speed : Max. 250mm/sec.**

(Except NP-2651D/3651D)

**16 gray scale printing**

(Except NP-2651D/3651D)

(Corresponding to label print)



\*LED Bezel is an option

\*Presenter is an option

#### NP-2611BD/ -3611BD

come with large paper holder up to 150mm O.D.

#### NP-3611BD

\*Presenter is an option

Model name	NP-2611AD	NP-2611BD	NP-2651D	NP-3611AD	NP-3611BD	NP-3651D
Print method	Direct Line thermal dot					
Print speed	Max.250mm/sec.		Max.100mm/sec.	Max.250mm/sec.		Max.100mm/sec.
Resolution	8dots/mm (203dpi)					
Gradation	16 gray scale		N/A	16 gray scale		N/A
Number of dots/line	416dots (Default)/432dots / 448dots			576dots(Default)/560dots/640dots		
Paper width	58mm(Default)/60mm			80mm(Default)/76mm		
Print width	52mm(Default)/54mm/56mm(Max.)			72mm(Default)/70mm/80mm(Max.)		
Paper diameter	Max.φ83mm	Max.φ150mm		Max.φ83mm	Max.φ150mm	
Character	International, English, Greek, Polish, Russian, Scandinavian, Turkish, Chinese, Korean, Japanese					
Barcode	UPC-A, UPC-E, EAN-13, EAN-8, CODE39, ITF, CODABAR, CODE128, QR Code (model2), PDF417					
Interface	USB(V2.0 full speed) and Serial(RS232C)					
Cutter	Full cut and Partial cut *by command					
Operating voltage	DC24V					
External dimensions	106(W)x150(D)x80.2(H)mm	106(W)x171(D)x129(H)mm		127(W)x150(D)x80.2(H)mm	127(W)x171(D)x129(H)mm	

## High Reliability Models ( Receipt )

### NP-3711U

Mega font

Lock-free Cutter

Thick Paper

High speed

## NEW MODEL

**Print speed : Max. 200mm/sec.**

**16 gray scale printing**



LED bezel is an option.

Model name	NP-3711U		
Print method	Direct line thermal dots		
Print speed	Max. 200mm/sec.		
Resolution	8dots/mm(203dpi)		
Gradation	16 gray scale		
Number of dots/line	560dots	576dots	640dots
Paper width	76mm	80mm	82.5mm
Print width	70mm	72mm	80mm
Paper diameter	Max.φ83mm		
Character	International, English, Korean, Chinese, Greek, Polish, Russian, Scandinavian, Turkish, Japanese		
Barcode	UPC-A, UPC-E, EAN-13, EAN-8, CODE39, ITF, CODABAR, CODE128, PDF417, QR code (model2), Linked QR code (model2), Micro QR code		
Interface	USB (V2.0 full speed)		
Cutter	Full cut and Partial cut *by command		
Operating voltage	DC24V		
External dimensions	127(W) x150.5(D) x76.2(H) mm		

P.4

Under Development

NP-G30D

- Mega font
- Thick Paper
- High speed
- Lock-free Cutter



Multiple paper positions

Paper arm, UPH-Arm200 is an option.

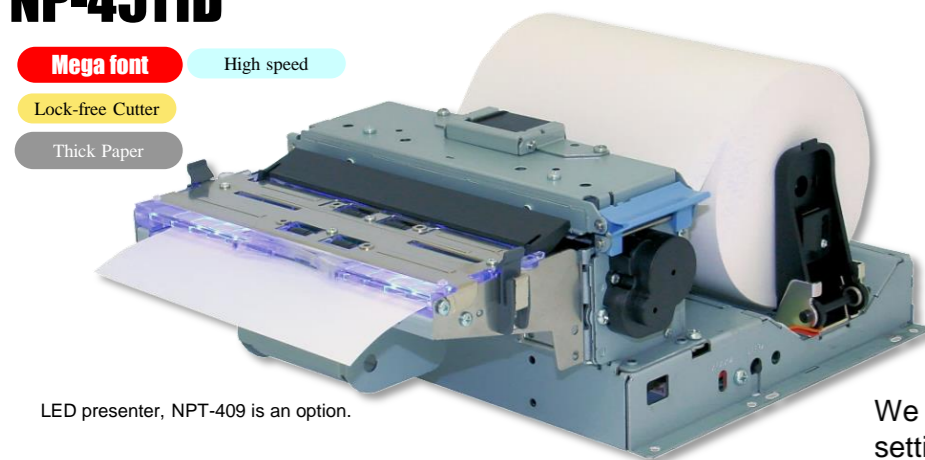
Built in LED presenter  
Solid and Durable structure  
16 gray scale printing  
Optional paper arm  
: Max.200mm O.D.

Model name	NP-G30D	
Print method	Direct line thermal dots	
Print speed	Max. 200mm/sec.	
Resolution	8dots/mm(203dpi)	
Gradation	16 gray scale	
Number of dots/line	576dots	640dots
Paper width	80mm	82.5mm
Print width	72mm	80mm
Paper diameter	Max.φ200mm	
Character	International, English, Greek, Polish, Russian, Scandinavian, Turkish, Japanese	
Barcode	UPC-A, UPC-E, EAN-13, EAN-8, CODE39, ITF, CODABAR, CODE128, PFD417, QR code (model2) Linked QR code (model2), Micro QR code	
Interface	USB(V2.0 full speed) and Serial(RS232C)	
Cutter	Full cut	
Operating voltage	DC24V	
External dimensions	121.2 (W) x137.1 (D) x72(H) mm (w/o paper arm)	

\*Specifications are tentative.

NP-4511D

- Mega font
- High speed
- Lock-free Cutter
- Thick Paper

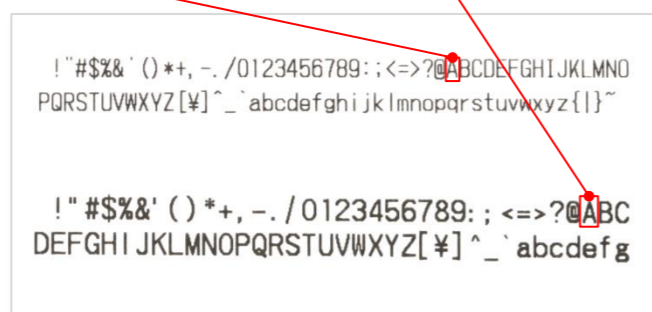
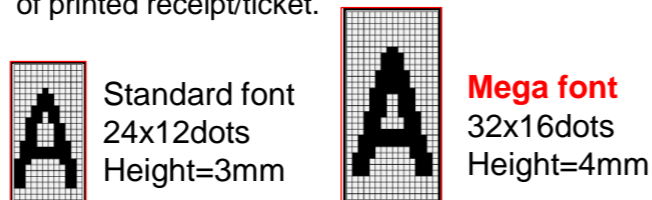


LED presenter, NPT-409 is an option.

4 inch receipt printer

Mega font

We newly introduce **Mega font** at default setting to provide for maximizing the legibility of printed receipt/ticket.



An example of the receipt. (Paper width 80mm)

Model name	NP-4511D
Print method	Direct line thermal dots
Print speed	Max. 150mm/sec.
Resolution	8dots/mm (203dpi)
Number of dots/line	832dots
Paper width	112mm
Print width	104mm
Paper diameter	Max. φ80mm (Max. φ250mm : Option)
Character	International, English, Greek, Polish, Russian, Scandinavian, Turkish, Chinese, Korean, Japanese
Barcode	UPC-A, UPC-E, EAN-13, EAN-8, CODE39, ITF, CODABAR, CODE128, PDF417, QR code (model2), Linked QR code (model2), Micro QR code
Interface	USB(V2.0 full speed) and Serial
Cutter	Auto cutter
Operating voltage	DC24V
External dimensions	159.7 (W) x150.6(D) x84(H) mm

\*Specifications are tentative.

Under development

NP-3A11AU

- 300 dpi
- Mega font
- Thick Paper
- Lock-free Cutter



High resolution 300dpi printing

Model name	NP-3A11AU
Print method	Direct line thermal dot
Print speed	MAX. 150 mm/sec
Resolution	11.8 dots/mm (300dpi)
Number of dots / line	960 dots
Paper width	53 ~86mm adjustable
Print width	81.3mm (Max.)
Character	International, English, Greek, Polish, Russian, Scandinavian, Turkish, Chinese, Korean, Japanese
Barcode	UPC-A, UPC-E, EAN-13, EAN-8, CODE39, ITF, CODABAR, CODE128, CODE93, QRcode (model 2), PDF417
Interface	USB (V2.0 Full speed)
Auto-cutter	Full cut and Partial cut by command
Operating voltage	DC24V
External dimensions	123.7(W) x187.6(D) x87.4(H) mm

\*Specifications are tentative.

NP-3512D / NP-3513D

- Fanfold
- Lock-free Cutter
- Thick Paper

Models for exclusive use of fan fold paper

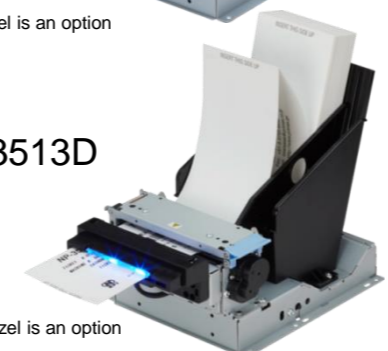
- Paper thickness up to 150μm
- Operating temp: -20°C~60°C
- Shallow design: 150mm in depth (NP-3513D)
- Optional LED Bezel (BEZ-332) is attachable

NP-3512D



\*LED Bezel is an option

NP-3513D



\*LED Bezel is an option

Model name	NP-3512D	NP-3513D
Print method	Direct line thermal dot	
Print speed	Max. 200mm/sec.	
Resolution	8dots/mm (203dpi)	
Number of dots / line	576dots	560dots
Paper size	Paper Width	80mm
	Paper Width	76mm
	Length	4-inch, 5-inch, 156mm, 165mm
Paper thicness	Paper Width	65mm
	Paper Width	80mm
Character	Paper Width	76mm
	Paper Width	60mm
Barcode	Paper Width	72mm
	Paper Width	70mm
Interface	Paper Width	60mm
	Paper Width	72mm
Cutter	Paper Width	70mm
	Paper Width	60mm
Operating voltage	DC24V	
Stacker specs.	Paper quantity:	300sheets
	Paper quantity:	400sheets
External dimensions	127(W)x232(D)x82(H)mm	127(W)x163.3(D)x146(H)mm

New Concept Re-printing Printer

NP-QRP

Re-printing printer



- Able to Re-print of multiple times
- Thick Paper Available: 150μm at Max.
- Operating temp: -20°C~60°C
- Shallow design: 70.8mm in depth

NP-2511D for Ticket Printing.

(Bezel and Large paper holder are options.)  
Adoption of NP-2511D for ticketing machine is the best combination for Parking lot system.

Model name	NP-QRP
Print Method	Direct line thermal dot
Print Speed	Max.150mm/sec.
Resolution	8dots/mm(203dpi)
Number of dots / line	432dots
Paper width	54mm
Print width	54mm
Paper Diameter	-
Character	International, English, Greek, Polish, Russian, Scandinavian, Turkish, Chinese, Korean, Japanese
Barcode	UPC-A, UPC-E, EAN-13, EAN-8, CODE39, ITF, CODABAR, CODE128, QR Code (model2)
Interface	Serial (RS232C)
Cutter	-
Operating voltage	DC24V
External dimensions	94.8(W)x70.8(D)x79.4(H)mm

**NP-2701D / NP-2705D**

**Front operation type with the low profile 120mm.**

High speed Lock-free Cutter Front operation



Model name	NP-2701D	NP-2705D
Print method	Direct line thermal dot	
Print speed	Max.170mm/sec.	Max.250mm/sec.
Resolution	8dots/mm (203dpi)	
Gradation	N/A	16 gray scale
Number of dots / line	432dots	
Paper width	58mm	
Print width	54mm	
Paper diameter	Max.φ83mm	
Character	English, Polish, Russian, Scandinavian, Turkish	International, English, Greek, Polish, Russian, Scandinavian, Turkish, Chinese, Korean
Barcode	UPC-A, UPC-E, EAN-13, EAN-8, CODE39, ITF, CODABAR, CODE128, QR code (model2)	UPC-A, UPC-E, EAN-13, EAN-8, CODE39, CODE93, ITF, CODABAR, CODE128, QR Code (model2), PDF417
Interface	USB (V2.0 full speed) and Serial (RS232C)	
Cutter	Full cut and Partial cut (by command)	
Operating voltage	DC24V	
External dimensions	100(W)x112(D)x120(H)mm	

\*LED Bezel is an option

**Panel Mount Printers**

**NP-P2061M / NP-P2062M**

**Flexible mounting options!**

Front operation



NP-P2061D-AW

NP-P2062D-BW

- Fully upward compatible with NP-2021/2025 series
- Same external dimension as NP-2021 even with auto cutter (P2062M)

Model name	NP-P2061M-AW NP-P2062M-AW	NP-P2061M-BW NP-P2062M-BW	NP-P20AR
Print method	Direct line thermal dot		
Print speed	Max.100 mm/sec (DC8.5V)		Max.75 mm/sec (DC8.5V)
Resolution	8dots/mm (203dpi)		
Number of dots / line	384dots		
Paper width	58mm		
Print width	48mm		
Paper diameter	Max.φ50 mm		
Character	English, Polish, Russian, Scandinavian, Turkish		
Barcode	UPC-A, UPC-E, EAN-13, EAN-8, CODE39, ITF, CODABAR, CODE128, CODE93, GS1 DataBar, QR Code (model2)	UPC-A, UPC-E, EAN-13, EAN-8, CODE39, ITF, CODABAR, CODE128, CODE93	
Interface	Parallel(Centronics),Serial(RS232C), and USB(V2.0 Full Speed)		Serial (RS232C)
Cutter	NP-P2061M-AW/-BW : Tear Bar NP-P2062M-AW/-BW : Auto Cutter		-
Operating voltage	DC5V~8.5V		DC5~8.5V, DC3.3V (circuit voltage)
External dimensions	101(W)x66(D) x116(H)mm	96(W)x66(D) x111(H)mm	77.7(W)x105.1(D) x49.5(H)mm (Horizontal setting only)

**NP-P20AR**

**NEW MODEL**



**NP-P2081D**

Front operation

- Super low price
- Super compact panel printer with the smallest dimension of 79.5x67.4x77.0mm
- Accept custom color (-W:White, -B:Black)



NP-P2081D-W

NP-P2081D-B

**Palm-sized panel printer**

Model name	NP-P2081D-W / NP-P2081D-B
Print method	Direct line thermal dot
Print speed	Max.75mm/sec.
Resolution	8dots/mm (203dpi)
Number of dots / line	384dots
Paper width	58mm
Print width	48mm
Paper diameter	Max.φ40mm
Character	English, Polish, Russian, Scandinavian, Turkish
Barcode	UPC-A, UPC-E, EAN-13, EAN-8, CODE39, ITF, CODABAR, CODE128, QR Code (model2)
Interface	USB (V2.0 full speed) and Serial (RS232C)
Cutter	Tear Bar
Operating voltage	DC5V~9V
External dimensions	79.5(W) x67.4(D) x77.0(H)mm

P.9

**NP-KV20 series / NP-KV30 series**

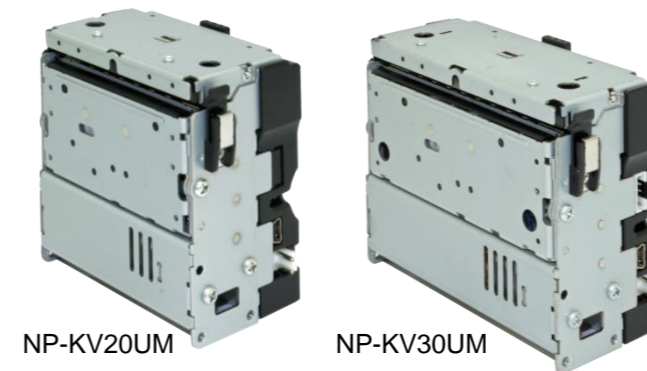
High speed Lock-free Cutter Thick Paper

**Ultra Compact and High Performance Printer Module with built in control board**

**Module type**

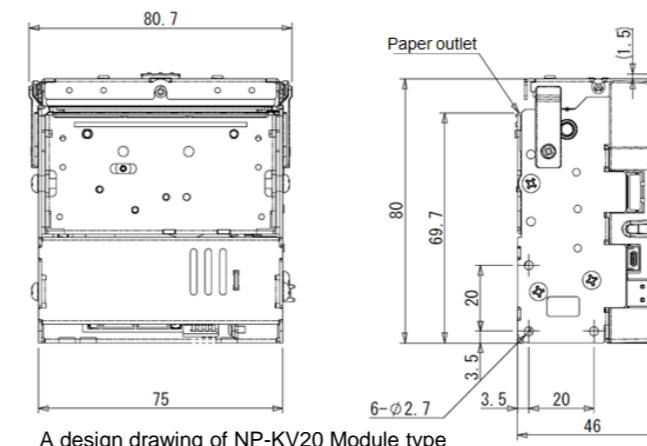
NP-KV20UM, NP-KV30UM  
NP-KV20DM, NP-KV30DM  
NP-KV20BM, NP-KV30BM

- All in one, ultra compact printer module
  - Mechanism, auto-cutter, control board and interface are built-in.
- High Speed printing up to 200mm/sec.
- Kiosk type models come with 3ways bracket that enable to change the printer module position to, Standard, Tilt and Vertical way, for variety of installations.



NP-KV20UM

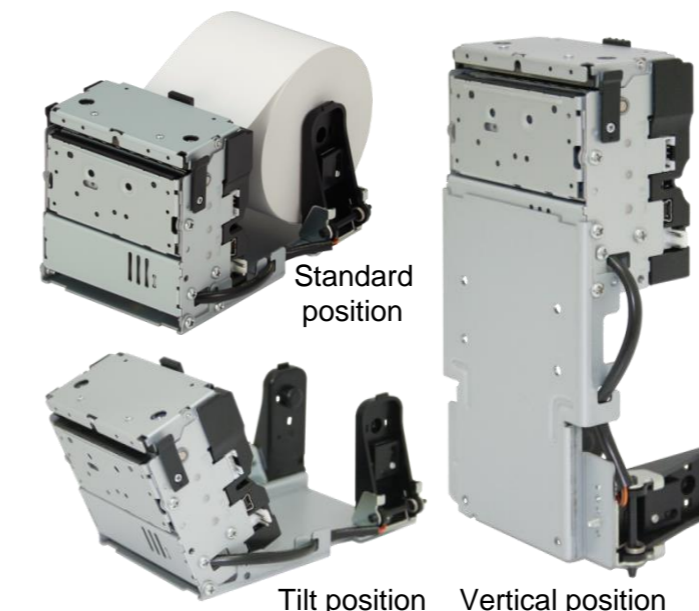
NP-KV30UM



A design drawing of NP-KV20 Module type

**Kiosk type**

NP-KV20UK, NP-KV30UK  
NP-KV20DK, NP-KV30DK  
NP-KV20BK, NP-KV30BK



Standard position

Tilt position Vertical position

**NP-KV20 series (2-inch)**

Model name	NP-KV20UM -KV20UK	NP-KV20DM -KV20DK	NP-KV20BM -KV20BK
Print method	Direct line thermal dot		
Print speed	Max.200mm/sec.		
Resolution	8dots/mm (203dpi)		
Number of dots / line	448dots		
Paper width / Print width	58mm/56mm.		
Paper diameter	Max.φ90mm (for Kiosk Model), Max.φ150mm(option)		
Character	International, English, Polish, Russian, Scandinavian, Turkish, Japanese		
Barcode	UPC-A, UPC-E, EAN-13, EAN-8, CODE39, ITF, CODE93, CODABAR, CODE128, GS1 Data Bar, QR code (model2), Linked QR code (model2), Micro QR code		
Interface	USB (V2.0 full speed)	USB (V2.0 full speed) Serial (RS232C)	USB (V2.0 full speed) Serial (RS232C) Bluetooth
Auto-cutter	Full cut and Partial cut (by command)		
Operating voltage	DC24V		
External dimensions	Module type:86(W)x 46(D)x80.7(H)mm Kiosk Type:97.6(W)x118(D)x81.4(H)mm		

**NP-KV30 series (3-inch)**

Model name	NP-KV30UM -KV30UK	NP-KV30DM -KV30DK	NP-KV30BM -KV30BK
Print method	Direct line thermal dot		
Print speed	Max.200mm/sec.		
Resolution	8dots/mm (203dpi)		
Number of dots / line	576dots		
Paper width / Print width	80mm/72mm		
Paper diameter	Max.φ90mm (for Kiosk Model), Max.φ150mm(option)		
Character	International, English, Polish, Russian, Scandinavian, Turkish, Japanese		
Barcode	UPC-A, UPC-E, EAN-13, EAN-8, CODE39, ITF, CODE93, CODABAR, CODE128, GS1 Data Bar, QR code (model2), Linked QR code (model2), Micro QR code		
Interface	USB (V2.0 full speed)	USB (V2.0 full speed) Serial (RS232C)	USB (V2.0 full speed) Serial (RS232C) Bluetooth
Auto-cutter	Full cut and Partial cut (by command)		
Operating voltage	DC24V		
External dimensions	Module type:107(W)x46(D)x80.7(H)mm Kiosk Type:119.6(W)x118(D)x81.4(H)mm		

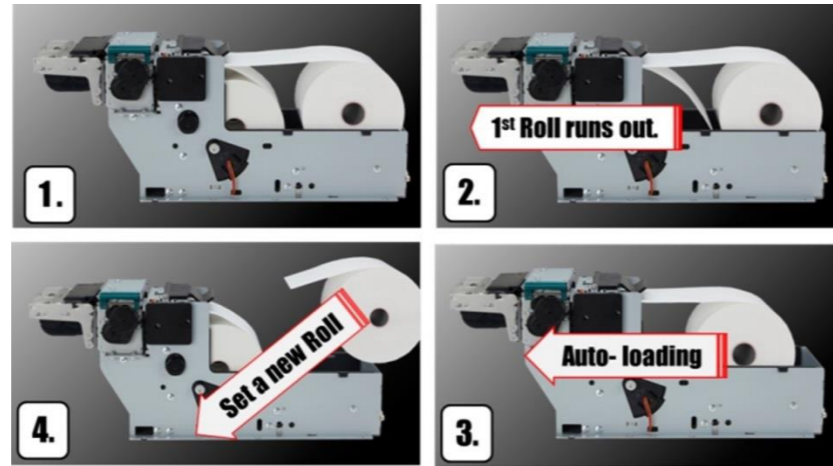
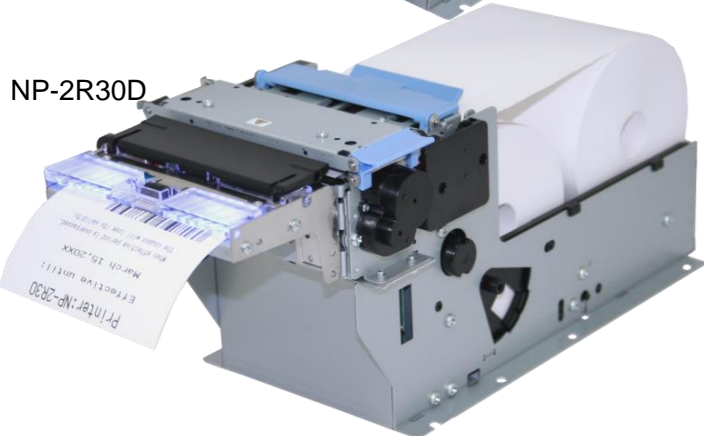
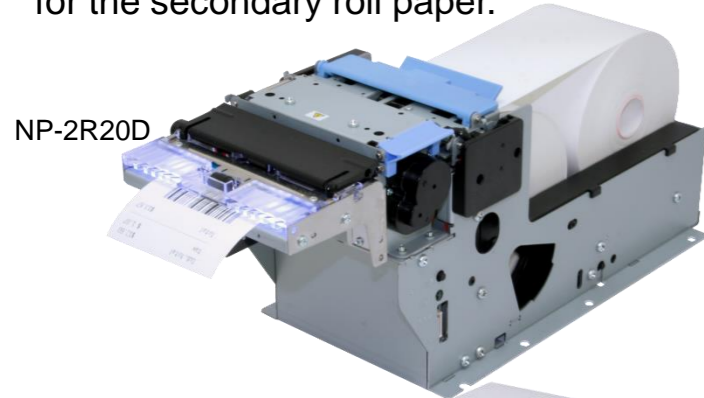
P.6

# NP-2R20D / NP-2R30D

High speed Lock-free Cutter

## Endless Receipt Printer

- New concept, **Endless receipt printer**
- **Automatic paper loading system** for the secondary roll paper.



Patent Pending

Model name	NP-2R20D	NP-2R30D
Print method	Direct line thermal dot	
Print speed	Max.200mm/sec.	
Resolution	8dots/mm(203dpi)	
Number of dots / line	416dots	576dots
Paper width / Print width	58mm/52mm (Max.54mm by command)	80mm/72mm (Max.78mm by command)
Paper diameter	Max.φ83mmx2 (only for core-less roll paper)	
Character	International, English, Greek, Polish, Russian, Scandinavian, Turkish, Chinese, Korean, Japanese	
Barcode	UPC-A, UPC-E, EAN-13, EAN-8, CODE39, ITF, CODABAR, CODE128, <b>QR code (model2)</b> , <b>PDF417</b>	
Interface	USB (V2.0 full speed) and Serial (RS232C)	
Auto-cutter	Full cut and Partial cut (by command)	
Operating voltage	DC24V	
External dimensions	112(W)x284(D)x118(H)mm	116(W)x284(D)x118(H)mm

## Receipt Printers

### NP-211D

Jam prevention

#### Paper jam free structure

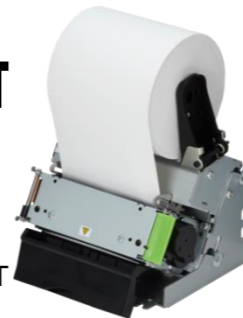
- Paper jam free
- Compact and Light weight
- Low price



### NP-2411T / NP-3411T

#### For ticket cutting off

- Panel mounting solution



NP-3411T

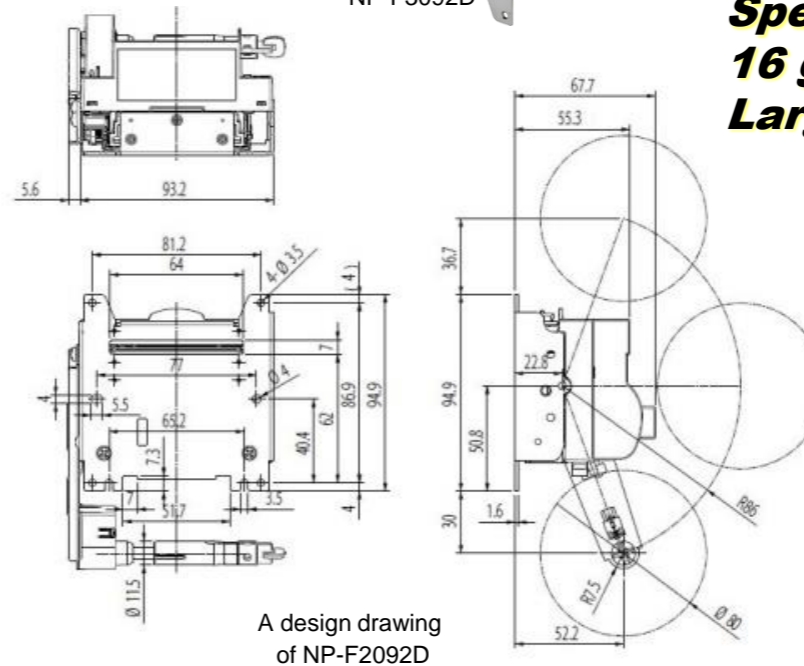
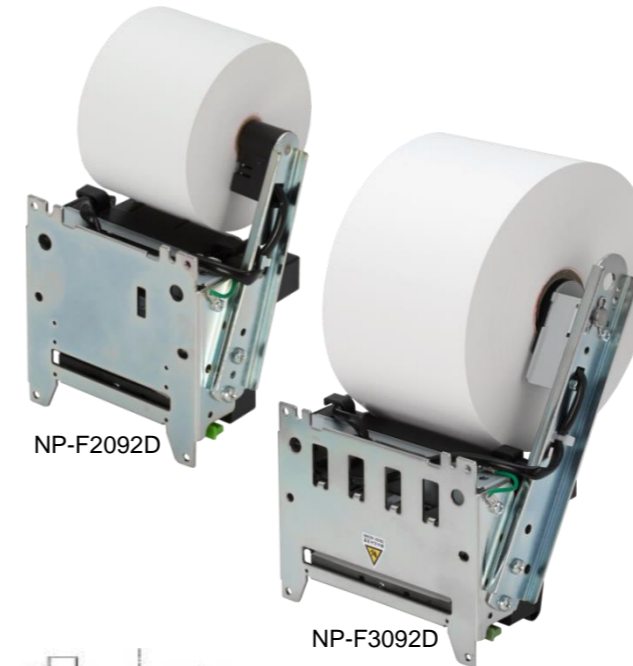
Model name	NP-211D
Print method	Direct line thermal dot
Print speed	Max.50mm/sec.
Resolution	8dots/mm (203dpi)
Number of dots / line	384dots
Paper width	58mm
Print width	48mm
Paper diameter	Max.φ70mm
Character	International, English, Greek, Polish, Russian, Scandinavian, Turkish, Chinese, Korean
Barcode	UPC-A, UPC-E, EAN-13, EAN-8, CODE39, ITF, CODABAR, CODE128
Interface	USB (V2.0 full speed) and RS232C
Cutter	Tear bar
Operating voltage	DC7-14V
External dimensions	84.0(W)x117.6(D)x77.5(H)mm

Model name	NP-2411T	NP-3411T
Print method	Direct Line thermal dot	
Print speed	Max.150mm/sec.	
Resolution	8dots/mm (203dpi)	
Number of dots/line	416dots(Default) 432dots	576dots (Default) 560dots
Paper width	58mm(Default) 60mm	80mm(Default) 76mm
Print width	52mm(Default) 54mm	72mm(Default) 69mm
Paper diameter	Max.φ83mm	Max.φ83mm
Character	International, English, Greek, Polish, Russian, Scandinavian, Turkish, Chinese, Korean, Japanese	
Barcode	UPC-A, UPC-E, EAN-13, EAN-8, CODE39, ITF, CODABAR, CODE128, <b>QR Code (model2)</b>	
Interface	USB (V2.0 full speed) and Serial (RS232C)	
Cutter	Full cut and Partial cut (by command)	
Operating voltage	DC24V	
External dimensions	103.6(W)x103.4(D)x142.5(H)mm	124.6(W)x103.4(D)x142.5(H)mm

# NP-F2092D / NP-F3092D

(formerly known as NP-K209)

Lock-free Cutter



A design drawing of NP-F2092D

## 10 ways of paper positioning

- **Low price, super compact Kiosk printer**
- Arm part position is user-configurable (upwards or backward or downwards)
- Roll paper set / eject direction is user-configurable either to right or left
- The printer position is user-selection either upright (face down print) or inverted (face up print)
- Optional bezel (BEZ-420/BEZ-430) is attachable

### NP-F3692D

High speed Lock-free Cutter Thick Paper

#### Speed 250mm/sec. 16 gray scale Large paper holder



\*LED Bezel is an option

Model name	NP-F2092D	NP-F3092D	NP-F3692	
Print Method	Direct line thermal dot			
Print Speed	Max.150mm/sec.	Max.100mm/sec.	Max.250mm/sec.	
Resolution	8dots/mm(203dpi)			
Number of dots / line	384dots	576dots	576dots (Default)	640dots
Paper width	58mm	80mm		
Print width	48mm	72mm	72mm (Default)	80mm (Max.)
Paper Diameter	Max.φ80mm	Max.φ120mm	Max.φ150mm	
Character	English, Polish, Russian, Scandinavian, Turkish, Japanese		International, English, Greek, Polish, Russian, Scandinavian, Turkish, Chinese, Korean, Japanese	
Barcode	UPC-A, UPC-E, EAN-13, EAN-8, CODE39, ITF, CODABAR, CODE128, CODE93, GS1 DataBar, <b>QR Code (model2)</b>		UPC-A, UPC-E, EAN-13, EAN-8, CODE39, ITF, CODABAR, CODE128, CODE93, GS1 DataBar, <b>PDF417</b> , <b>QR Code (model2)</b>	
Interface	USB (V2.0 full speed) and Serial (RS232C)			
Cutter	Full cut and Partial cut (by command)			
Operating voltage	DC12V	DC24V		
External dimensions	98.8(W)x67.7(D)x132.4(H)mm (shipping form)	122.2(W)x97.6(D)x160.8(H)mm (shipping form)	139.6(W)x203(D)x110(H)mm (shipping form)	