

Ever since its foundation in 1979, **NIPPON PRIMEX INC.** has achieved the position of top dealer of mini printers in the industrial peripheral equipment field in Japan.

A development and manufacturing department, **NIPPON PRINTER ENGINEERING INC.**, was established in 1986. This department has provided high performance and reliable products both in hardware and software to our customers. In 2006, We enlarged and transferred it to the foot of Mt. Fuji. It became the largest mini-printer factory in the world. All printers of **NIPPON PRIMEX INC.** are designed and manufactured at this factory by skillful experts.

We continue developing the unique products which other companies do not offer. If you are looking for Mini Printer, please contact us "overseas@primex.co.jp".



NIPPON PRIMEX INC.



NIPPON PRINTER ENGINEERING INC.

OEM products to completely meet your requirement

All the product on the catalog is just an example.
We can customize our printer as an OEM product to completely meet your requirement.

Our clients are,
Canon, CASIO, COMOTA, DENSO, Diebold, DNP, Flextronics, Fujifilm, Fujitsu Frontech, GLORY, Hamag, Hitachi, IBM, JCM, Kodak, LAUREL PRECISION MACHINES, Mars Engineering, Mitsubishi Electric, Nabtesco, NAMCO, NEC, Omron, Panasonic, PFU, Sharp, SoftBank, Sysmex, Tatsuno, Teraoka Seiko, TESCO, Toshiba, Wincor Nixdorf, and others, more than 700 companies.
For most of those companies, we customized the printers as OEM products.

Please contact us, "overseas@primex.co.jp" about your OEM product.

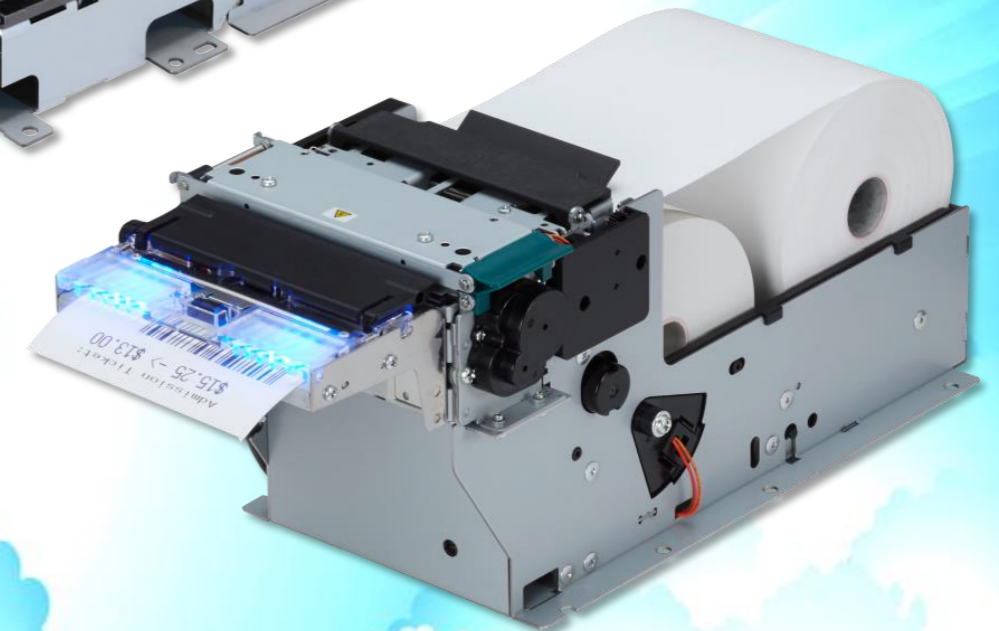
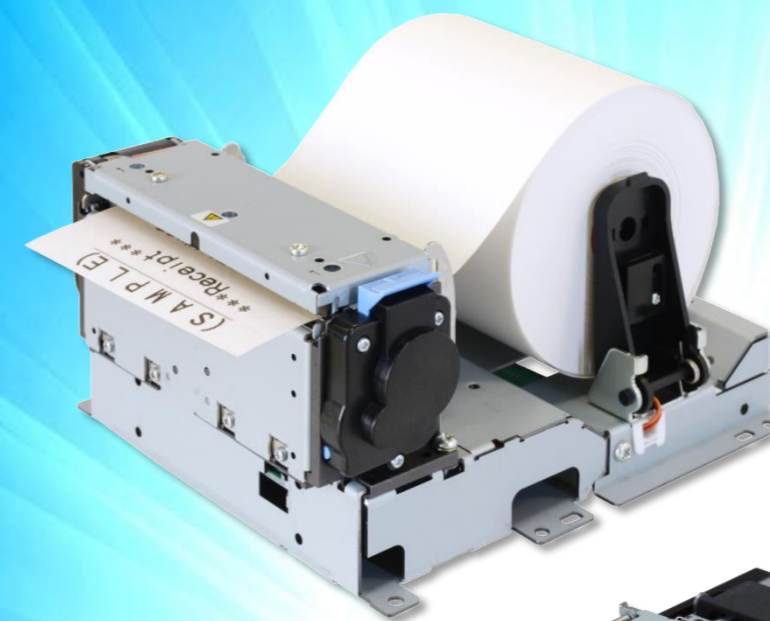
NP is the world brand of kiosk printer

PRODUCTS GUIDE

Spring 2017

KIOSK PRINTER
PRINTER MODULE
PRINTER MECHANISM
PORTABLE PRINTER

LED BEZEL
PAPER PRESENTER
PAPER HOLDER
POWER SUPPLY
PRINTER DRIVER



● : Standard ○ : Option

Model name	page	Voltage (DC)	AC adapter (Option)	Auto cutter	Presenter	LED bezel	Large roll paper	Thick paper	Interface		
									USB	RS232C	Parallel
NP-K2011R	p.2	5V-8.5V	—	—	—	—	—	—	—	●	—
NP-K2012R	p.2	5V-8.5V	—	●	—	—	—	—	—	●	—
NP-K2042DL	p.2	5V-8.5V	*1	●	—	—	—	—	●	●	—
NP-K2042DM	p.2	12V	—	●	—	—	—	—	●	●	—
NP-K2052D	p.2	24V	PS8-E2/U2	●	—	—	—	—	●	●	—
NP-K2053D	p.2	24V	PS8-E2/U2	●	●	—	—	—	●	●	—
NP-2411D	p.3	24V	PS8-E2/U2	●	○	○	○	●	●	●	—
NP-2511D/2511XD	p.3	24V	PS8-E/U	●	○	○	○	●	●	●	—
NP-2521D	p.3	12V	—	●	—	—	—	●	●	●	—
NP-2611AD/BD	p.4	24V	PS8-E/U	●	○	○	*2	●	●	●	—
NP-2651D	p.4	24V	PS8-E/U	●	—	—	●	●	●	●	—
NP-2701D	p.7	24V	PS8-E2/U2	●	○*3	○*3	—	—	●	●	—
NP-2705D	p.7	24V	PS8-E2/U2	●	—	—	—	—	●	●	—
NP-211D	p.8	7V-14V	PS10-E/U	—	—	—	—	—	●	●	—
NP-KV20UM/UK	p.9	24V	PS8-E2/U2	●	—	—	○	●	●	—	—
NP-KV20DM/DK	p.9	24V	PS8-E2/U2	●	○	○	○	●	●	●	—
NP-KV20BM/BK *4	p.9	24V	PS8-E2/U2	●	○	○	○	●	●	●	—
NP-2R20D	p.10	24V	PS8-E/U	●	●	—	—	—	●	●	—

3 inch Receipt Printers

Model name	Page	Voltage (DC)	AC adapter (Option)	Auto cutter	Presenter	LED bezel	Large roll paper	Thick Paper	Interface		
									USB	RS232C	Parallel
NP-K3042D	p.2	24V	PS8-E2/U2	●	—	—	—	—	●	●	—
NP-K3052D	p.2	24V	PS8-E2/U2	●	—	—	—	—	●	●	—
NP-K3053D	p.2	24V	PS8-E2/U2	●	●	—	—	—	●	●	—
NP-3411D	p.3	24V	PS8-E2/U2	●	○	○	○	●	●	●	—
NP-3511D/3511XD	p.3	24V	PS8-E/U	●	○	○	○	●	●	●	—
NP-3611AD/BD	p.4	24V	PS8-E/U	●	○	○	*2	●	●	●	—
NP-3811D	p.4	24V	PS8-E/U	●	○	○	○	●	●	●	—
NP-3651D	p.4	24V	PS8-E/U	●	—	—	●	●	●	●	—
NP-KV30UM/UK	p.9	24V	PS8-E2/U2	●	—	—	○	●	●	—	—
NP-KV30DM/DK	p.9	24V	PS8-E2/U2	●	○	○	○	●	●	●	—
NP-KV30BM/BK *4	p.9	24V	PS8-E2/U2	●	○	○	○	●	●	●	—
NP-2R30D	p.10	24V	PS8-E/U	●	●	—	—	—	●	●	—

Ticket Printers

Model name	page	Voltage (DC)	AC adapter (Option)	Auto cutter	Presenter	LED bezel	Paper Stacker	Thick Paper	Interface		
									USB	RS232C	Parallel
NP-3512D	p.6	24V	PS8-E/U	●	—	○	Horizontal	●	●	●	—
NP-3513D	p.6	24V	PS8-E/U	●	—	○	Vertical	●	●	●	—
NP-QRP	p.11	24V	PS8-E2/U2	—	—	—	—	●	●	●	—

Face Mount Printers

Model name	Page	Voltage (DC)	AC adapter (Option)	Auto cutter	Presenter	LED bezel	Large roll paper	Thick Paper	Interface		
									USB	RS232C	Parallel
NP-F2092D	p.5	12V	—	●	—	—	—	—	●	●	—
NP-F3092D	p.5	24V	PS8-E2/U2	●	—	—	●	—	●	●	—
NP-F3692D	p.6	24V	PS8-E2/U2	●	○	○	●	●	●	●	—

Panel Mount Printers

Model name	Page	Voltage (DC)	AC adapter (Option)	Auto cutter	Presenter	LED bezel	Large roll paper	Thick Paper	Interface		
									USB	RS232C	Parallel
NP-P2081D	p.7	5V-9V	*1	—	—	—	—	—	●	●	—
NP-P2061D	p.7	5V-8.5V	PS10-E/U	—	—	—	—	—	●	●	●
NP-P2062D	p.7	5V-8.5V	PS10-E/U	●	—	—	—	—	●	●	●
NP-P20AR	p.7	5V-8.5V	PS10-E/U	—	—	—	—	—	—	●	—

Journal Printers

Model name	page	Voltage (DC)	AC adapter (Option)	Auto Cutter	Presenter	LED bezel	Large roll paper	Thick Paper	Interface		
									USB	RS232C	Parallel
NP-J312D	p.8	24V	PS8-E2/U2	—	—	—	—	—	●	●	—
NP-2551D/3551D	p.8	24V	PS8-E/U	—	—	—	—	—	●	●	—

*1. PS10-E/U can be used by attaching optional 2pin converter
 *2. NP-2611BD and NP-3611BD come equipped with large paper holder up to 150mm O.D.
 *3. Only for NP-2701D-B
 *4. NP-KV20BM and NP-KV20BK come equipped with Bluetooth interface, also.

NEW MODEL

NEX-T3202U / NEX-T3202R

Mega font

We newly introduce **Mega font** at default setting to provide for maximizing the legibility of printed receipt/ticket.

- Through put enhancement by compressed data transfer
- Supporting horizontal/wall-mount



Model name	NEX-T3202U / NEX-T3202R			
Print method	Direct line thermal dot			
Print speed	Max. 200mm/sec. <i>(Execution speed: Approx. 1.5 times faster than standard.)</i>			
Resolution	8dots/mm (203dpi)			
Gradation	Simulated 8 gray scale			
Number of dots / line	576dots (Default)	512dots	432dots	360dots
Paper width	80mm(Default)	80mm	58mm	58mm
Print width	72mm(Default)	64mm	54mm	45mm
Paper diameter	Max.φ83mm			
Character	USA, Standard Europe, Euro, Arabic, Thai, Eastern European, Cyrillic, Latin, Greek, Turkish			
Barcode	UPC-A / E, EAN-13 / 8, CODE39, CODE93, ITF, CODABAR, CODE128, QR Code (model2), PDF417			
Interface	NEX-T3202U: USB(V2.0 full speed) , NEX-T3202S: Serial(RS232C)			
Cutter	Partial cut (a tab left at the center)			
Operating voltage	DC24V			
External dimensions	143(W)x190(D)x142(H)mm			

Under development

NEX-C200U / NEX-C200R

- Super compact and low price.
- Supporting horizontal/wall-mount



Model name	NEX-C200U	NEX-C200R
Print method	Direct line thermal dot	
Print speed	Max.100mm/sec. (DC 9.0V)	
Resolution	8dots/mm (203dpi)	
Number of dots / line	384dots	
Paper width	58mm	
Print width	48mm	
Paper diameter	Max.φ50mm	
Character	International, English, Polish, Russian, Scandinavian, Turkish,	
Barcode	UPC-A, UPC-E, EAN-13, EAN-8, CODE39, ITF, CODABAR, CODE128, , QR Code (model2)	
Interface	USB(V2.0 full speed)	Serial (RS232C)
Cutter	Tear Bar	
Operating voltage	9.0V	
External dimensions	78(W)x112(D)x59(H)mm	

NEX-T2001UH / NEX-T2002UH

NEX-T2001D / NEX-T2002D

- Easy operation due to roll paper "Drop-in" type
- Supporting horizontal/wall-mount
- Super compact and Light weight



Model name	NEX-T2001D	NEX-T2002D	NEX-T2001UH	NEX-T2002UH
Print method	Direct line thermal dot			
Print speed	Max.90mm/sec.		Max.150mm/sec.	
Resolution	8dots/mm (203dpi)			
Number of dots / line	384dots		432dots	
Paper width	58mm			
Print width	48mm		54mm	
Paper diameter	Max.φ83mm			
Character	International, USA, Standard Europe, Euro, Arabic, Thai, Polish, Russian, Scandinavian, Greek, Turkish			
Barcode	UPC-A, UPC-E, EAN-13, EAN-8, CODE39, CODE93, ITF, CODABAR, CODE128, QR Code (model2), PDF417			
Interface	USB(V2.0 full speed) and Serial(RS232C)		USB(V2.0 full speed)	
Cutter	Tear Bar	Partial cut (a tab left at the center)	Tear Bar	Partial cut (a tab left at the center)
Operating voltage	DC8.5V		DC24V	
External dimensions	89.5(W)x175(D)x113(H)mm			

Under development

NEX-M3302

Desktop Mobile

Mega font



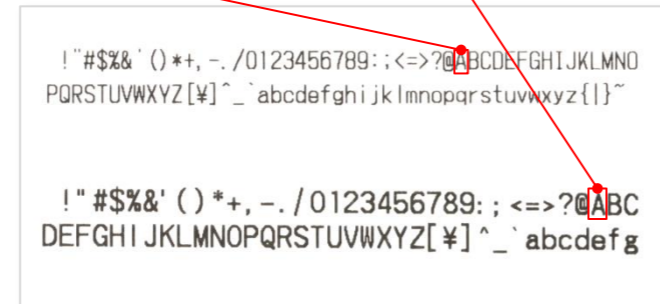
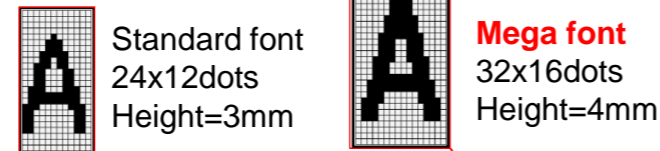
The MFi license
(Made for iPod/iPhone/iPad is expected to obtain.)



Wireless LAN interface
Auto-cutter included
Sophisticated design

Mega font

We newly introduce **Mega font** at default setting to provide for maximizing the legibility of printed receipt/ticket.



An example of the receipt. (Actual size: Paper width 80mm)

Model name	NEX-M3302		
Print method	Direct line thermal dot		
Print speed	Max. 90mm/sec.(DC8.5V)		
Resolution	8dots/mm (203dpi)		
Number of dots / line	576dots (Default)		
Paper width	80mm(Default)		
Print width	72mm(Default)		
Paper diameter	Max.φ50mm		
Barcode	UPC-A, UPC-E, EAN-13, EAN- 8, CODE39, CODE93, CODE128, ITF, CODABAR, GS1 Data Bar, QR Code (model2), PDF417		
Interface	USB(V2.0 full speed), Wireless LAN		
Cutter	Partial cut		
Library	Windows 7/8/8.1/10(Programming language:C++, VB.NET, C#) IOS(8.0 or later) (Programming language:Objective-C,Swift) Android SDK(Ver.5.0 or later) (Programming language:java)		
Options	Power Supply(PS10), Lithium-ion battery (NBP-225A)		
External dimensions	113(W)x152(D)x57(H)mm		

*Specifications are tentative.

NEX-M2302B

Desktop

Mobile



Bluetooth

Made for iPod iPhone iPad



Auto-cutter included
Sophisticated design
Long-life battery drive

- Dual interface (USB 2.0 / Bluetooth)
- Drivers and SDK for Windows, iOS and Android
- Bluetooth for iOS (MFi is acquired)

Model name	NEX-M2302B			
Print method	Direct line thermal dot			
Print speed	Max.100mm/sec.(DC8.5V)			
Resolution	8dots/mm(203dpi)			
Number of dots / line	384dots(Default)			
Paper width	58mm(Default)			
Print width	48mm(Default)			
Paper diameter	Max.φ50mm			
Barcode	UPC-A, UPC-E, EAN-13, EAN- 8, CODE39, CODE93, CODE128, ITF, CODABAR, GS1 Data Bar, QR Code (model2), PDF417			
Interface	USB(V2.0 full speed), Bluetooth			
Cutter	Full cut and Partial cut (by Memory switch)			
Library	Windows 7/8/8.1/10 (Programming language: C++, VB.NET, C#) iOS(8.0 or later) (Programming language: Objective-C) Android SDK(Ver.4.0 or later) (Programming language: Java)			
Options	Power Supply(PS10), Lithium-ion battery (NBP-225A), Battery Charger, Carrying case			
External dimensions	91(W)x148.5(D)x63.5(H)mm			



Bluetooth connection

Tablet computer
Smartphone
(iOS, Android OS)

Color variations are optional.



NP-K2011R / NP-K2012R

NP-K2012R



Smallest Printer Module

- Low price, all in one printer module
- Mechanism, auto cutter, control board and interface are built in
- Easy paper loading by patent platen cover

Model name	NP-K2011R	NP-K2012R
Print method	Direct line thermal dot	
Print speed	Max.50mm/sec.	
Resolution	8dots/mm (203dpi)	
Number of dots / line	384dots	
Paper width / Print width / Paper diameter	58mm/48mm/Max.φ80mm	
Character	International and Japanese	
Barcode	UPC-A, UPC-E, EAN-13, EAN-8, CODE39, ITF, CODABAR, CODE128	
Interface	Serial (RS232C)	
Cutter	Tear bar	Auto cutter
Operating voltage	DC5~8.5V, DC5V (circuit voltage)	
External dimensions	81.9(W)x 55.5(D)x 39.4(H)mm	

Receipt Printers

NP-K2042D / NP-K3042D

NP-K2042D



NP-K3042D



Small profile, depth and footprint

- Low price, super compact kiosk printer
- Easy paper loading by patent platen cover
- Paper jam free
- Optional paper near end sensor is attachable

Model name	NP-K2042DL	NP-K2042DM	NP-K3042D
Print method	Direct line thermal dot		
Print speed	Max.100mm/sec. (DC8.5V)	Max.100mm/sec.	Max.150mm/sec.
Resolution	8dots/mm (203dpi)		
Number of dots / line	384dots		576dots
Paper width / Print width / Paper diameter	58mm/48mm/Max.φ80mm		80mm/72mm/Max.φ80mm
Character	International, Japanese, Polish, Russian, Scandinavian, Turkish		
Barcode	UPC-A, UPC-E, EAN-13, EAN-8, CODE39, ITF, CODABAR, CODE128, CODE93, GS1 DataBar, QR Code (model2)		
Interface	USB (V2.0 full speed) and Serial (RS232C)		
Cutter	Full cut and Partial cut (by command)		
Operating voltage	DC5~8.5V	DC12V	DC24V
External dimensions	86(W)x132.5(D)x70(H)mm		114(W)x132.5(D)x70(H)mm

NP-K2052D / NP-K2053D
NP-K3052D / NP-K3053D

NP-K2052D



NP-K3053D



Revolutionary drop-in type

- Short profile of **88.6mm** including paper
- High speed printing up to **150mm/sec.**
- **NP-K2053D/K3053D** come equipped with simple presenter

Model name	NP-K2052D	NP-K2053D	NP-K3052D	NP-K3053D
Print method	Direct line thermal dot		Direct line thermal dot	
Print speed	Max. 150mm/sec.		Max. 150mm/sec.	
Resolution	8dots/mm (203dpi)		8dots/mm (203dpi)	
Number of dots / line	432dots		576dots	
Paper width / Print width / Paper diameter	58mm/54mm/Max.φ80mm		80mm/72mm/Max.φ80mm	
Character	International, Japanese, Polish, Russian, Scandinavian, Turkish			
Barcode	UPC-A, UPC-E, EAN-13, EAN-8, CODE39, ITF, CODABAR, CODE128, CODE93, GS1 DataBar, QR Code (model2)			
Interface	USB (V2.0 full speed) and Serial (RS232C)			
Cutter	Full cut / Partial cut (by command)	Full cut	Full cut / Partial cut (by command)	Full cut
Operating voltage	DC24V		DC24V	
External dimensions	91.1(W)x133.4(D)x88.6(H)mm	91.1(W)x167.7(D)x88.6(H)mm	111.1(W)x133.4(D)x88.6(H)mm	111.1(W)x167.7(D)x88.6(H)mm

NP-2411D / NP-3411D

Lock-free Cutter Thick Paper

Small-footprint

- Lock-free cutter
- Operating temp:-15°C~60°C
- Paper thickness: 59~150µm
- High speed printing up to 150mm/sec.
- Optional LED Bezel is attachable

Model name	NP-2411D		NP-3411D	
Print method	Direct line thermal dot			
Print speed	Max.150mm/sec.			
Resolution	8dots/mm (203dpi)			
Number of dots / line	416dots (Default)	432dots	576dots (Default)	560dots
Paper width	58mm(Default)	60mm	80mm(Default)	76mm
Print width	52mm(Default)	54mm	72mm(Default)	69mm
Paper diameter	Max.φ83mm			
Character	International, English, Greek, Polish, Russian, Scandinavian, Turkish, Chinese, Korean, Japanese			
Barcode	UPC-A, UPC-E, EAN-13, EAN-8, CODE39, ITF, CODABAR, CODE128, QR Code (model2)			
Interface	USB (V2.0 full speed) and Serial (RS232C)			
Cutter	Full cut and Partial cut (by command)			
Operating voltage	DC24V			
External dimensions	103.6(W)x123.5(D)x77.3(H)mm		124.6(W)x123.5(D)x77.3(H)mm	

NP-2411D

*LED Bezel is an option

NP-3411D

*LED Bezel is an option

NP-2511D / NP-2521D / NP-3511D

High speed Lock-free Cutter Thick Paper

Speed 200mm/sec. , -20°C~60°C

- Operating temp:-20°C~60°C (NP-2521:-10°C~60°C)
- High repeatability of 16 gray scale, 2D barcode printing (QR code (model2), PDF417) (Except NP-2521D)
- Lock-free cutter
- Paper thickness:59~150µm
- Optional LED Bezel is attachable (Except NP-2521D)

Model name	NP-2511D / NP-2511XD / NP-2521D				NP-3511D / NP-3511XD	
Print method	Direct line thermal dot					
Print speed	Max. 200mm/sec. (NP-2521D: Max. 150mm/sec.)					
Resolution	8dots/mm (203dpi)					
Number of dots/ line	416dots (Default)	432dots	448dots	576dots (Default)	560dots	640dots
Paper width	58mm(Default)	60mm		80mm (Default)	76mm	
Print width	52mm(Default)	54mm	56mm(Max.)	72mm (Default)	70mm	80mm(Max.)
Paper diameter	Max.φ83mm					
Character	International, English, Greek, Polish, Russian, Scandinavian, Turkish, Chinese, Japanese					
Barcode	UPC-A, UPC-E, EAN-13, EAN-8, CODE39, ITF, CODABAR, CODE128, QR code (model2), PDF417 (for QR code (model2)/PDF417:Except NP-2521D)					
Interface	USB (V2.0 full speed) and Serial (RS232C)					
Cutter	Full cut and Partial cut (by command)					
Operating voltage	DC24V (NP-2521:DC12V)					
External dimensions	NP-2511/NP-2521:106(W)x150(D)x75(H)mm			NP-3511:127(W)x150(D)x75(H)mm		
	NP-2511X:106(W)x170(D)x80(H)mm			NP-3511X:127(W)x170(D)x80(H)mm		

NP-3511D

*LED Bezel is an option

NP-2511XD / 3511XD

High speed Lock-free Cutter Thick Paper

Paper Drop in type

NP-3511XD

Revolutionary new printer engine (Free from paper Jam)

Model name	NP-K2510A	NP-K3510A	NP-E2042L	NP-E2042M	NP-E205	NP-E305
Mechanisms						
Control board Flat cable						
Operating voltage	DC24V		DC5.0V~8.5V	DC12V	DC24V	
Paper width	58mm(Default), 60mm	80mm (Default), 65mm, 76mm, 82.5mm	58mm (2-inch)	58mm (2-inch)	58mm (2-inch)	80mm (3-inch)
Print width	52mm(Default), 54mm, 56mm	72mm(Default), 59mm, 70mm, 80mm	48mm	48mm	54mm	72mm
Total dots	448dots		640dots	384dots	432dots	576dots
Print speed	Max.200mm/sec.		Max.100mm/sec. *	Max.100mm/sec.	Max.150mm/sec.	
Auto-cutter	V-blade Guillotine method					
Paper thickness	59~150µm		59~75µm			
Dimension	94.8(W)x46.8(D)x49.4 (H)mm (incl. Guide)	115.8(W)x46.8(D)x49.4 (H)mm (incl. Guide)	81.2(W)x40.0(D) x21.6(H)mm	81.2(W)x40.0(D) x21.6(H)mm	81.2(W)x40.0(D) x21.6(H)mm	101.2(W)x40.0(D) x21.6(H)mm
Reliability	150 km/1.5mil.cuts		50km/0.5mil.cuts		100km/1.0mil.cuts	

* At DC 8.5V

Options

Presenter

Extends the printers potential to meet specific requirements for ATM's and payment kiosks.

NPT-306



Model name	NPT-306		NPT-308A	NPT-308L
Paper size	Width:58~80mm/Thickness:59~75µm		Width:58~80mm/Thickness:59~105µm	
Transferable paper length	55~250mm		60~250mm	
Transfer speed	Approx. 300mm/sec.		Approx. 300mm/sec.	
Paper eject mode	Clamp mode/Retraction mode		Clamp mode/Retraction mode	
Operating voltage	DC24V		DC24V	
LED color	N/A		Blue/Red	
External dimensions	91.6(W)x48.1(D)x45.7(H)mm		96.8(W)x54(D)x42.3(H)mm	98.7(W)x59(D)x42.3(H)mm
Available printer model	NP-2411D, -2511D, -2511XD, -2611AD, -2611BD, -3411D, -3511D, -3511XD, -3611AD, -3611BD, -3811D, -2701D-B, -F3692D, -KV20DM, -KV20DK, -KV20BM, -KV20BK, -KV30DM, -KV30DK, -KV30BM, -KV30BK		NP-2511D-3, -2611AD, -2611BD, -3511D-3, -3611AD, -3611BD, -3811D, -KV20DM, -KV20DK, -KV20BM, -KV20BK, -KV30DM, -KV30DK, -KV30BM, -KV30BK	

NPT-308A



NPT-308L



Bezel

BEZ-320



BEZ-330



BEZ-220



BEZ-230



Model name	BEZ-320		BEZ-330	BEZ-332
Available model	NP-2411D, -2511D, -2511XD, -2611AD, -2611BD, -2701D-B, -KV20DM, -KV20DK, -KV20BM, -KV20BK		NP-3411D, -3511D, -3511XD, -3611DA, -3611BD, -3811D, -F3692D, -KV30DM/DK, -KV30BM/BK	NP-3512D, -3513D
LED color	Blue / Red			
Model name	BEZ-220	BEZ-221	BEZ-230	BEZ-231
Paper detection sensor	None	Yes	None	Yes
Available model	NP-2411D, -2511D, -2511XD, -2521D, -2611AD, -2611BD, -2701D, -2705D	NP-KV20DM, -KV20DK, -KV20BM, -KV20BK	NP-KV30DM, -KV30DK, -KV30BM, -KV30BK	NP-KV30DM, -KV30DK, -KV30BM, -KV30BK

Paper holder



UPH-LA

PH-8L



PH-10



Model name	BEZ-420 (w/o Paper sensor)		BEZ-430 (w/o Paper sensor)	
Available model	NP-F2092D		NP-F3092D	
Model name	UPH-LA		PH-10	PH-8L
Paper width	58mm/60mm/80mm		30~82.5mm	58~80mm
Max. Roll Paper Diameter	150mm/200mm		83mm	
Diameter of paper shaft	Outer:33.4mm, Inner:25.4mm		Outer: 18mm Inner: 12mm	
Available printer model	NP-2411D, -2511D, -3411D, -3511D, -3811D, -KV20/30 series		NP-2411D, -2511D, -2521D, -3411D, -3511D ¹ , -KV20/30 series ²	NP-3411D ² , -3511D, -KV20/30 series ²

*1:PH-8L is standard for NP-3511D.

*2:PH-10 is standard for NP-2411D, -3411D, -2511D, -2611DA, -3611DA, -KV20UK, -KV20DK, -KV20BK, -KV30UK, -KV30DK, -KV30BK.

Power Supply

PS8- E/U

PS8- E2/U2

PS10- E/U



Optional 2pin converter

Model name	PS8- E / U	PS8-E2 / U2	PS10-U/E
Input voltage	AC100V ~ 240V		
Output voltage	DC24V		DC8.5V
Output current	2.15A Typical		3.53A
DC output cable connector	3 pin	2 pin	DC φ5.5xφ2.1
External dimensions	70(W)x135(D)x34.5(H)mm		50(W)x100(D)x34(H)mm

NEW MODEL

NP-QRP



Re-printing printer

Adoption of NP-2511D for ticketing machine is the best combination for Parking lot system.

NP-2511D for Ticket Printing.
(Bezel and Large paper holder are options.)



Model name	NP-QRP
Print Method	Direct line thermal dot
Print Speed	Max.150mm/sec.
Resolution	8dots/mm(203dpi)
Number of dots / line	432dots
Paper width	54mm
Print width	54mm
Paper Diameter	-
Character	International, English, Greek, Polish, Russian, Scandinavian, Turkish, Chinese, Korean, Japanese
Barcode	UPC-A, UPC-E, EAN-13, EAN-8, CODE39, ITF, CODABAR, CODE128, QR Code (model2)
Interface	USB (V2.0 full speed) and Serial (RS232C)
Cutter	-
Operating voltage	DC24V
External dimensions	94.8(W)x70.8(D)x79.4(H)mm

- Able to Re-print of multiple times
- Thick Paper Available: 150µm at Max.
- Operating temp: -20°C~60°C
- Shallow design: 70.8mm in depth

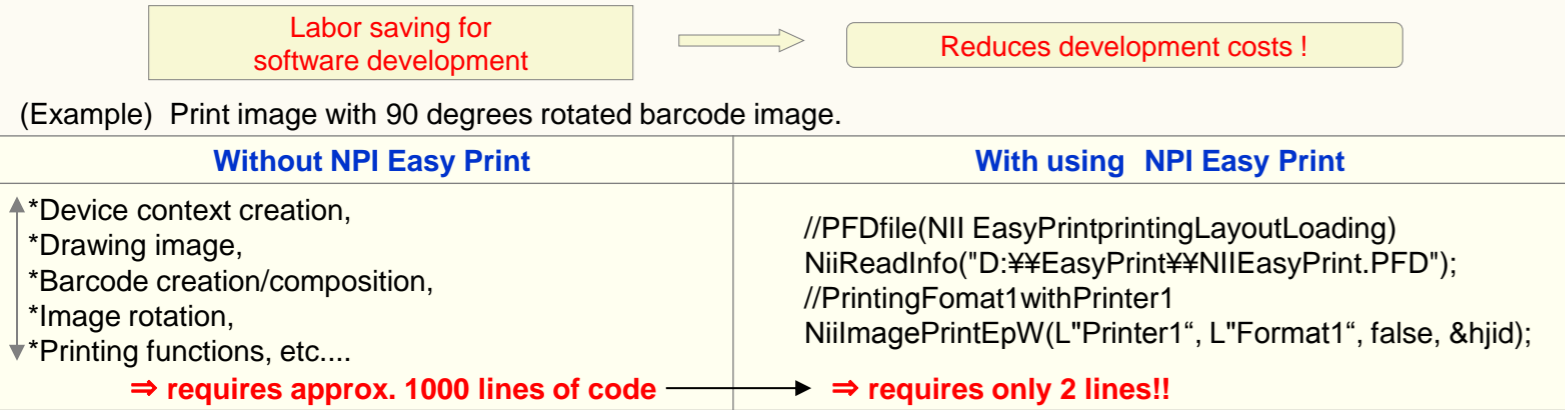
Printer Drivers for Windows

NPI Printer Drivers are downloadable from NIPPON PRIMEX website
 -Windows XP/Vista/Windows 7/8/8.1/10
 -Linux (CUPS)
 For Windows CE 6.0/XP Embedded, please contact us
 Library for Android/iOS/Windows

NPI Easy Print

NPI Easy Print is an integrated environment consists of GUI image designer, image control SDK and printer management SDK for Windows.
 This SDK reduces lot of cost, time and resource to develop your software fully controlling the printer.
 NPI Easy Print is provided to customers, who already have purchased NP printers, upon request.

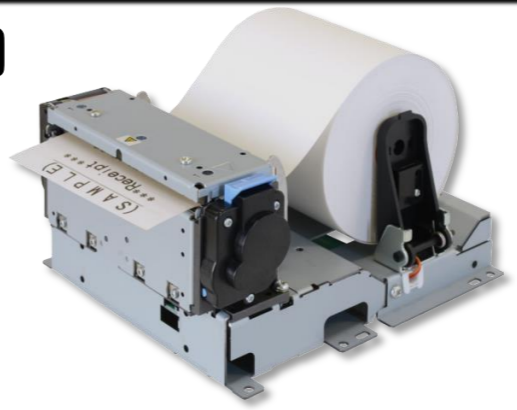
The merit of NPI Easy Print



Under development

NP-3811D

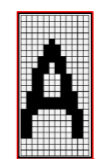
- Mega font
- Lock-free Cutter
- High speed
- Thick Paper



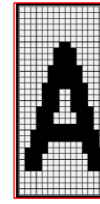
Speed : Max. 200mm/sec.
16 gray scale
Operating Temp. : -20°C~60°C

Mega font

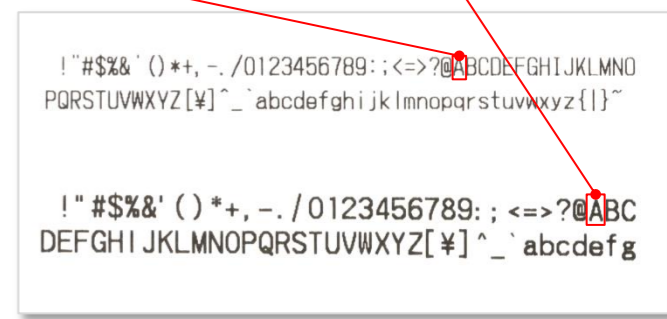
We newly introduce **Mega font** at default setting to provide for maximizing the legibility of printed receipt/ticket.



Standard font
24x12dots
Height=3mm



Mega font
32x16dots
Height=4mm

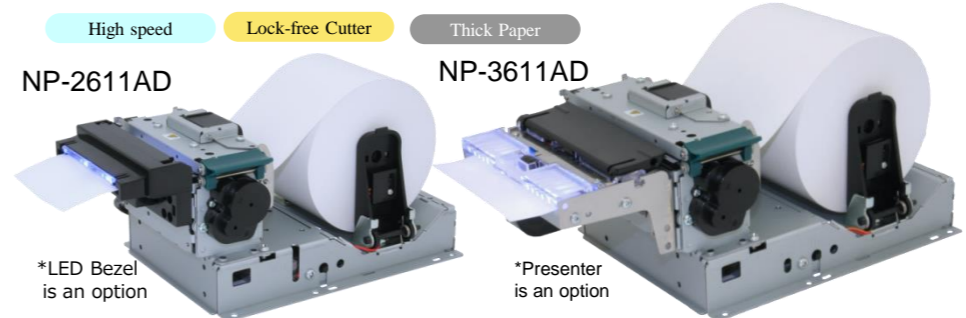


Model name	NP-3811D					
Print method	Direct line thermal dots					
Print speed	Max. 200mm/sec.					
Resolution	8dots/mm(203dpi)					
Gradation	16 gray scale					
Number of dots/line	416dots	432dots	448dots	560dots	576dots	640dots
Paper width	58mm	60mm	76mm	80mm		
Print width	52mm	54mm	56mm	70mm	72mm	80mm
Paper diameter	Max.φ83mm					
Character	International, English, Greek, Polish, Russian, Scandinavian, Turkish, Japanese					
Barcode	UPC-A, UPC-E, EAN-13, EAN-8, CODE39, ITF, CODABAR, CODE128, QR code (model2)					
Interface	USB(V2.0 full speed) and Serial(RS232C)					
Cutter	Full cut and Partial cut *by command					
Operating voltage	DC24V					
External dimensions	127(W)x150.4(D)x101.1(H) mm / 600g					

*Specifications are tentative.

NP-2611AD / NP-3611AD
NP-2611BD / NP-3611BD
NP-2651D / NP-3651D (Corresponding to label print)

Speed 250mm/sec. (Except NP-2651D/3651D)
16 gray scale (Except NP-2651D/3651D)

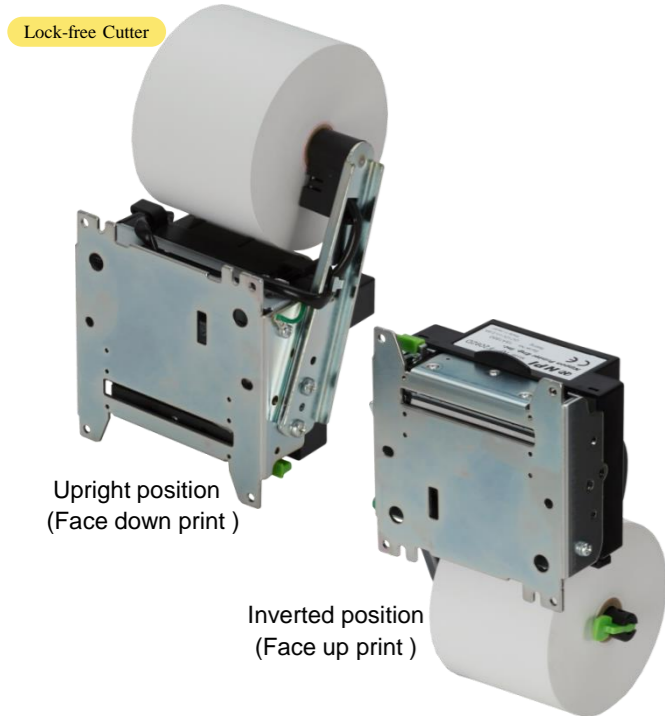


NP-2611BD/ -3611BD come with large paper holder up to 150mm O.D.
 NP-3611BD
 *Presenter is an option

Model name	NP-2611AD	NP-2611BD	NP-2651D	NP-3611AD	NP-3611BD	NP-3651D
Print method	Direct Line thermal dot					
Print speed	Max.250mm/sec.		Max.100mm/sec.	Max.250mm/sec.		Max.100mm/sec.
Resolution	8dots/mm (203dpi)					
Gradation	16 gray scale		N/A	16 gray scale		N/A
Number of dots/line	416dots (Default)/432dots / 448dots			576dots(Default)/560dots/640dots		
Paper width	58mm(Default)/60mm			80mm(Default)/76mm		
Print width	52mm(Default)/54mm/56mm(Max.)			72mm(Default)/70mm/80mm(Max.)		
Paper diameter	Max.φ83mm	Max.φ150mm		Max.φ83mm	Max.φ150mm	
Character	International, English, Greek, Polish, Russian, Scandinavian, Turkish, Chinese, Korean, Japanese					
Barcode	UPC-A, UPC-E, EAN-13, EAN-8, CODE39, ITF, CODABAR, CODE128, QR Code (model2), PDF417					
Interface	USB(V2.0 full speed) and Serial(RS232C)					
Cutter	Full cut and Partial cut *by command					
Operating voltage	DC24V					
External dimensions	106(W)x150(D)x80.2(H)mm	106(W)x171(D)x129(H)mm		127(W)x150(D)x80.2(H)mm	127(W)x171(D)x129(H)mm	

NP-F2092D

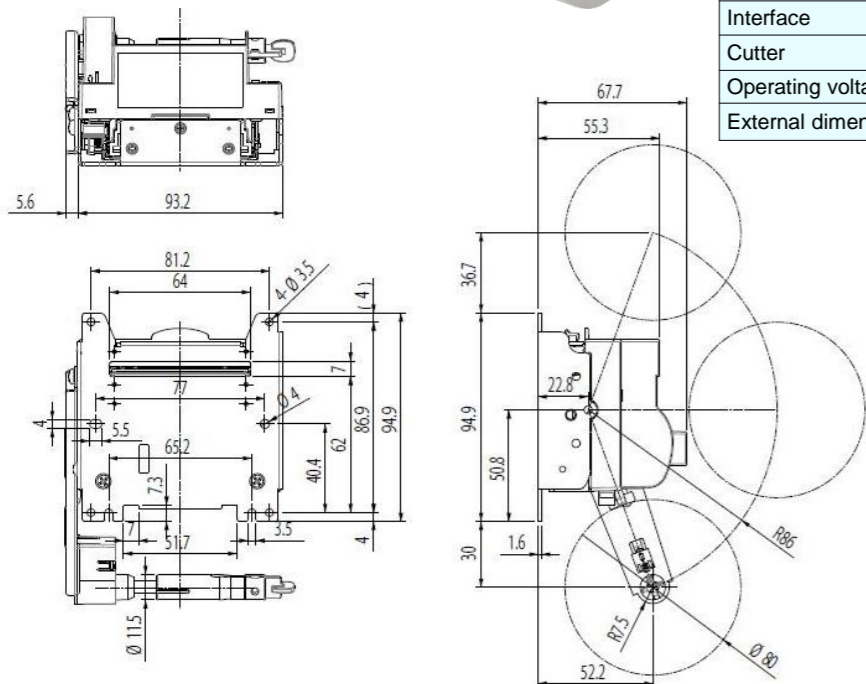
(formerly known as NP-K209)



10 ways of paper positioning

- Low price, super compact Kiosk printer
- Arm part position is user-configurable (upwards or backward or downwards)
- Roll paper set / eject direction is user-configurable either to right or left
- The printer position is user-selection either upright (face down print) or inverted (face up print)
- Optional bezel (BEZ-420) is attachable

Model name	NP-F2092D
Print Method	Direct line thermal dot
Print Speed	Max.100mm/sec.
Resolution	8dots/mm(203dpi)
Number of dots / line	384dots
Paper width	58mm
Print width	48mm
Paper Diameter	Max.φ80mm
Character	English, Polish, Russian, Scandinavian, Turkish, Japanese
Barcode	UPC-A, UPC-E, EAN-13, EAN-8, CODE39, ITF, CODABAR, CODE128, CODE93, GS1 DataBar, QR Code(model2)
Interface	USB(V2.0 full speed) and Serial (RS232C)
Cutter	Full cut and Partial cut (by command)
Operating voltage	DC12V
External dimensions	98.8(W)x67.7(D)x132.4(H)mm (shipping form)



NP-F3092D

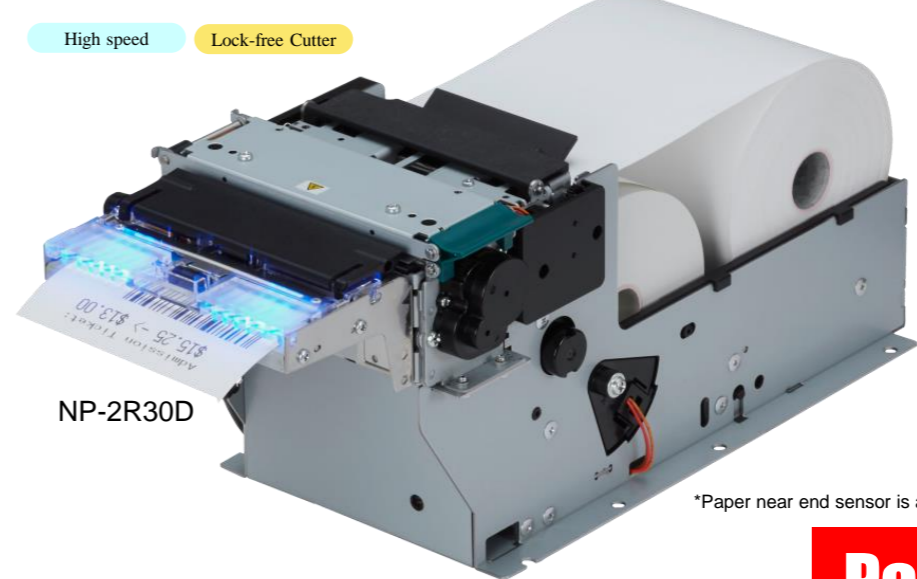


10 ways of paper positioning

Model name	NP-F3092D
Print Method	Direct line thermal dot
Print Speed	Max.150mm/sec.
Resolution	8dots/mm(203dpi)
Number of dots / line	576dots
Paper width	80mm
Print width	72mm
Paper Diameter	Max.φ120mm
Character	English, Polish, Russian, Scandinavian, Turkish and Japanese
Barcode	UPC-A, UPC-E, EAN-13, EAN-8, CODE39, ITF, CODABAR, CODE128, CODE93, GS1 DataBar, QR Code (model2)
Interface	USB (V2.0 full speed) and Serial (RS232C)
Cutter	Full cut and Partial cut (by command)
Operating voltage	DC24V
External dimensions	122.2(W)x97.6(D)x160.8(H)mm (shipping form)

NEW MODEL

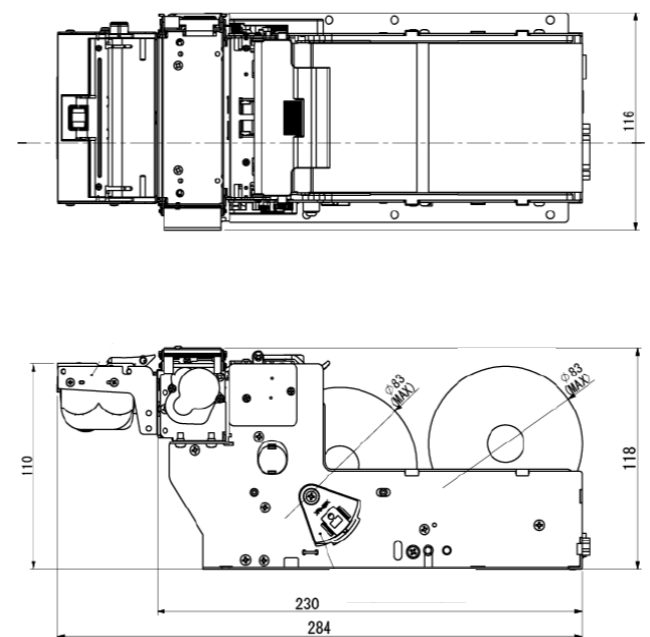
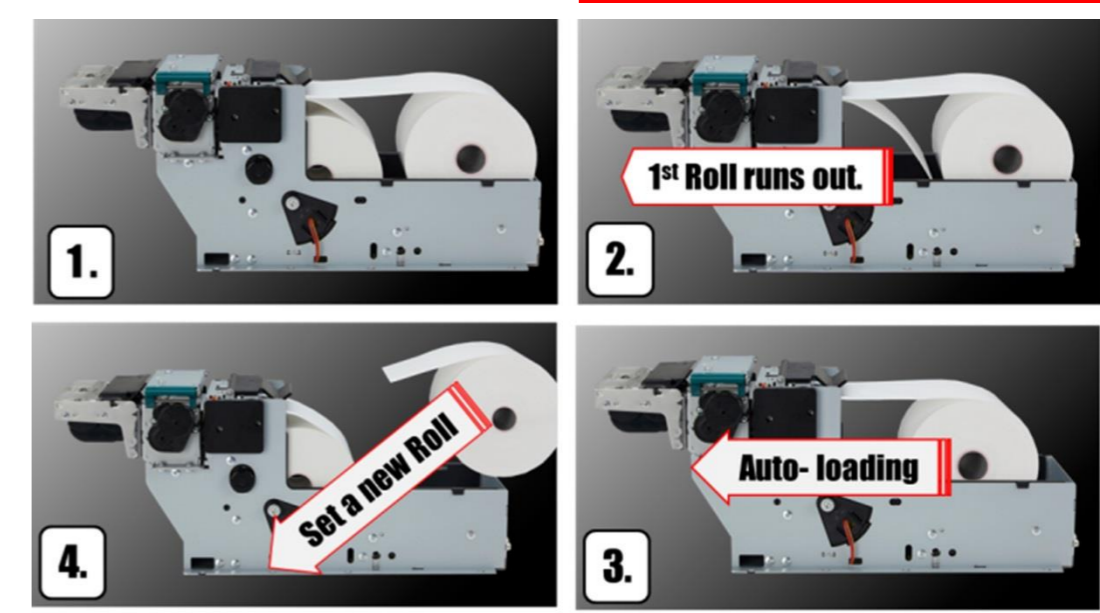
NP-2R20D / NP-2R30D



Endless Receipt Printer

- New concept, Endless receipt printer
- Automatic paper loading system for the secondary roll paper.

Patent Pending



Model name	NP-2R20D	NP-2R30D
Print method	Direct line thermal dot	
Print speed	Max.200mm/sec.	
Resolution	8dots/mm(203dpi)	
Number of dots / line	416dots	576dots
Paper width / Print width	58mm/Max.56mm	80mm/72mm (Max.80mm by command)
Paper diameter	Max.φ83mmx2 (only for core-less roll paper)	
Character	International, English, Greek, Polish, Russian, Scandinavian, Turkish, Chinese, Korean, Japanese	
Barcode	UPC-A, UPC-E, EAN-13, EAN-8, CODE39, ITF, CODABAR, CODE128, QR code (model2), PDF417	
Interface	USB (V2.0 full speed) and Serial (RS232C)	
Auto-cutter	Full cut and Partial cut (by command)	
Operating voltage	DC24V	
External dimensions	112(W)x284(D)x118(H)mm	116(W)x284(D)x118(H)mm

NEW MODEL

NP-KV20 series / NP-KV30 series

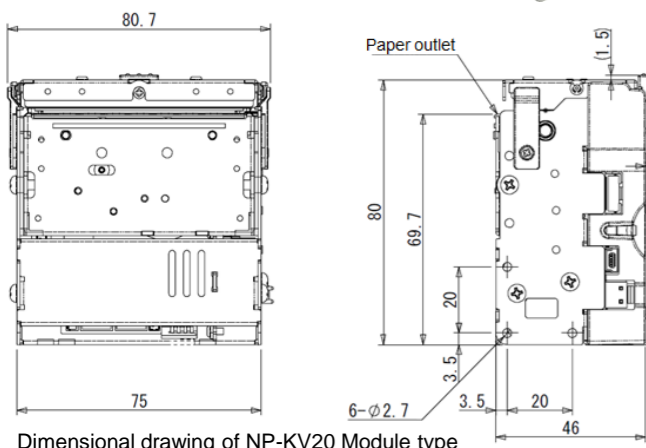
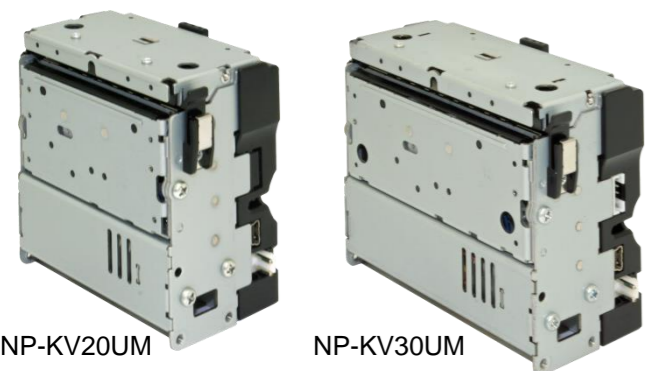
High speed Lock-free Cutter Thick Paper

Module type

NP-KV20UM, NP-KV30UM
NP-KV20DM, NP-KV30DM
NP-KV20BM, NP-KV30BM

Ultra Compact and High Performance Printer Module with built in control board.

- **All in one, ultra compact printer module**
- Mechanism, auto-cutter, control board and interface are built-in.
- **High Speed printing up to 200mm/sec.**
- Kiosk type models come with 3way bracket that enable to change the printer module position to, Standard, Tilt and Vertical way, for variety of installations.



Dimensional drawing of NP-KV20 Module type

NP-KV20 series (2-inch)

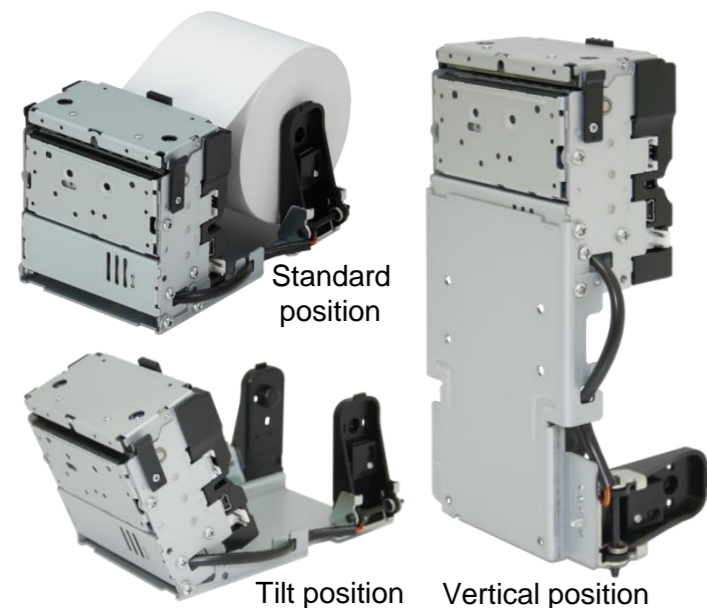
Model name	NP-KV20UM -KV20UK	NP-KV20DM -KV20DK	NP-KV20BM -KV20BK
Print method	Direct line thermal dot		
Print speed	Max.200mm/sec.		
Resolution	8dots/mm (203dpi)		
Number of dots / line	448dots		
Paper width / Print width	58mm/56mm.		
Paper diameter	Max.φ90mm (for Kiosk Model), Max.φ200mm(option)		
Character	International, English, Polish, Russian, Scandinavian, Turkish, Japanese		
Barcode	UPC-A, UPC-E, EAN-13, EAN-8, CODE39, ITF, CODABAR, CODE128, CODE93, GS1 Data Bar, QR code (model2)		
Interface	USB (V2.0 full speed)	USB (V2.0 full speed) Serial (RS232C)	USB (V2.0 full speed) Serial (RS232C) Bluetooth
Auto-cutter	Full cut and Partial cut (by command)		
Operating voltage	DC24V		
External dimensions	Module type:86(W)x 46(D)x80.7(H)mm Kiosk Type:97.6(W)x118(D)x81.4(H)mm		

NP-KV30 series (3-inch)

Model name	NP-KV30UM -KV30UK	NP-KV30DM -KV30DK	NP-KV30BM -KV30BK
Print method	Direct line thermal dot		
Print speed	Max.200mm/sec.		
Resolution	8dots/mm (203dpi)		
Number of dots / line	576dots		
Paper width / Print width	80mm/72mm		
Paper diameter	Max.φ90mm (for Kiosk Model), Max.φ200mm(option)		
Character	International, English, Polish, Russian, Scandinavian, Turkish, Japanese		
Barcode	UPC-A, UPC-E, EAN-13, EAN-8, CODE39, ITF, CODABAR, CODE128, CODE93, GS1 Data Bar, QR code (model2)		
Interface	USB (V2.0 full speed)	USB (V2.0 full speed) Serial (RS232C)	USB (V2.0 full speed) Serial (RS232C) Bluetooth
Auto-cutter	Full cut and Partial cut (by command)		
Operating voltage	DC24V		
External dimensions	Module type:107(W)x46(D)x80.7(H)mm Kiosk Type:119.6(W)x118(D)x81.4(H)mm		

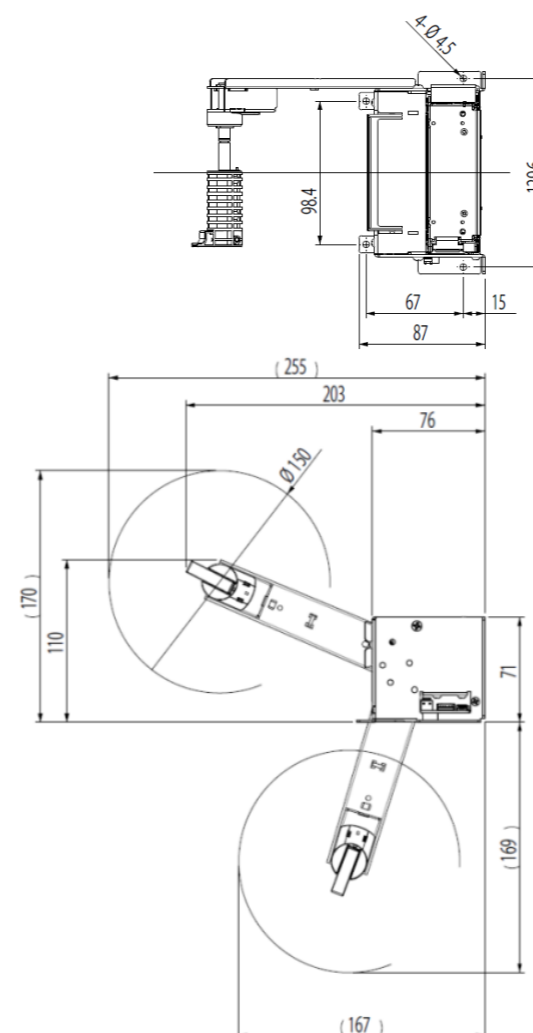
Kiosk type

NP-KV20UK, NP-KV30UK
NP-KV20DK, NP-KV30DK
NP-KV20BK, NP-KV30BK
NP-KV20BK and KV30 series are under development.

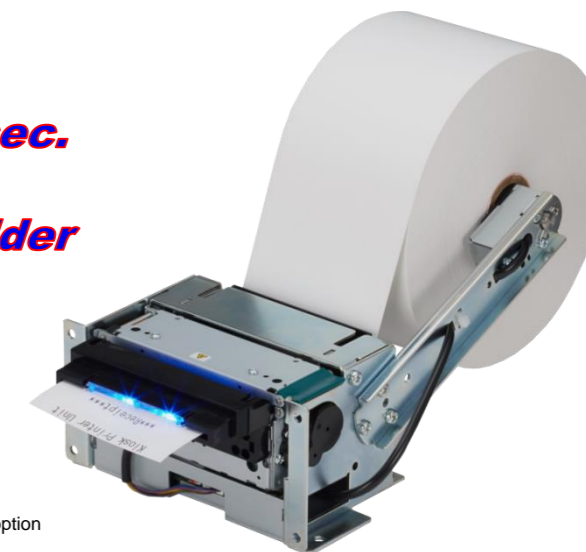


NP-F3692D

High speed Lock-free Cutter Thick Paper



**Speed 250mm/sec.
16 gray scale
Large paper holder**



*LED Bezel is an option

Model name	NP-F3692D					
Print method	Direct Line thermal dot					
Print speed	Max.250mm/sec.					
Resolution	8dots/mm (203dpi)					
Gradation	16 gray scale					
Number of dots/line	576dots (Default)			640dots		
Paper width	80mm(Default)					
Print width	72mm(Default)			80mm(Max.)		
Paper diameter	Max.φ150mm					
Character	International, English, Greek, Polish, Russian, Scandinavian, Turkish, Chinese, Korean, Japanese					
Barcode	UPC-A, UPC-E, EAN-13, EAN-8, CODE39, ITF, CODABAR, CODE128, QR Code (model2), PDF417					
Interface	USB (V2.0 full speed) and Serial (RS232C)					
Cutter	Full cut and Partial cut (by command)					
Operating voltage	DC24V					
External dimensions	139.6(W)x203(D)x110(H)mm (shipping form)					

Ticket Printers

NP-3512D / NP-3513D

Lock-free Cutter Thick Paper
Ticket Fanfold

Most suitable for thick ticket

- Paper thickness up to 150μm
- Operating temp: -20°C~60°C
- Shallow design: 150mm in depth (NP-3513D)
- Optional LED Bezel (BEZ-332) is attachable

NP-3512D



*LED Bezel is an option

NP-3513D



*LED Bezel is an option

Model name	NP-3512D						NP-3513D			
Print method	Direct line thermal dot									
Print speed	Max. 200mm/sec.									
Resolution	8dots/mm (203dpi)									
Number of dots / line	576dots	560dots	480dots	576dots	560dots	480dots				
Paper size	Paper Width	80mm	76mm	65mm	80mm	76mm	65mm			
	Print Width	72mm	70mm	60mm	72mm	70mm	60mm			
	Length	4-inch, 5-inch, 156mm, 165mm			4-inch, 5-inch, 156mm, 165mm					
Paper thickness	100~150μm									
Character	English, Greek, Polish, Russian, Scandinavian, Turkish, Chinese, Korean									
Barcode	UPC-A, UPC-E, EAN-13, EAN-8, CODE39, ITF, CODABAR, CODE128									
Interface	USB (V2.0 full speed) and Serial (RS232C)									
Cutter	Full cut/Partial cut or Tear off									
Operating voltage	DC24V									
Stacker specs.	Paper quantity:300sheets						Paper quantity:400sheets			
External dimensions	127(W)x232(D)x82(H)mm						127(W)x163.3(D)x146(H)mm			

Receipt Printers (Front Operation Type)

NP-2701D / NP-2705D

**Front operation type
with the low profile 120mm.**

High speed Lock-free Cutter Front operation

NP-2701D



*LED Bezel is an option

Model name	NP-2701D	NP-2705D
Print method	Direct line thermal dot	
Print speed	Max.170mm/sec.	Max.250mm/sec.
Resolution	8dots/mm (203dpi)	
Gradation	N/A	16 gray scale
Number of dots / line	432dots	
Paper width	58mm	
Print width	54mm	
Paper diameter	Max.φ83mm	
Character	English, Polish, Russian, Scandinavian, Turkish	International, English, Greek, Polish, Russian, Scandinavian, Turkish, Chinese, Korean
Barcode	UPC-A, UPC-E, EAN-13, EAN-8, CODE39, ITF, CODABAR, CODE128	UPC-A, UPC-E, EAN-13, EAN-8, CODE39, CODE93, ITF, CODABAR, CODE128, QR Code (model2), PDF417
Interface	USB (V2.0 full speed) and Serial (RS232C)	
Cutter	Full cut and Partial cut (by command)	
Operating voltage	DC24V	
External dimensions	100(W)x112(D)x120(H)mm	

Panel Mount Printers

NP-P2061M / NP-P2062M

Flexible mounting options!

- Fully upward compatible with NP-2021/2025 series
- Same external dimension as NP-2021 even with auto cutter (P2062M)

Front operation



NP-P2061D-AW

NP-P2062D-BW

NP-P20AR

NEW MODEL



Model name	NP-P2061M-AW NP-P2061M-BW	NP-P2062M-AW NP-P2062M-BW	NP-P20AR
Print method	Direct line thermal dot		
Print speed	Max.100 mm/sec (DC8.5V)		Max.75 mm/sec (DC8.5V)
Resolution	8dots/mm (203dpi)		
Number of dots / line	384dots		
Paper width	58mm		
Print width	48mm		
Paper diameter	Max.φ50 mm		
Character	English, Polish, Russian, Scandinavian, Turkish		
Barcode	UPC-A, UPC-E, EAN-13, EAN-8, CODE39, ITF, CODABAR, CODE128, GS1 DataBar, QR Code (model2)	UPC-A, UPC-E, EAN-13, EAN-8, CODE39, ITF, CODABAR, CODE128, CODE93	
Interface	Parallel(Centronics),Serial(RS232C), and USB(V2.0 Full Speed)		Serial (RS232C)
Cutter	Tear Bar	Auto Cutter	-
Operating voltage	DC5V~8.5V		
External dimensions	NP-P2061D-AW, NP-P2062D-AW :101(W)x66(D)x116(H)mm		
	NP-P2061D-BW, NP-P2062D-BW :96(W)x66(D)x111(H)mm		
	NP-P20AR :77.7(W) x105.1(D)x49.1(H)mm (Horizontal setting only)		

NP-P2081D

Front operation

- Super low price
- Super compact panel printer with the smallest dimension of 79.5x67.4x77.0mm
- Accept custom color (-W:White, -B:Black)



NP-P2081D-W

NP-P2081D-B

Palm-sized panel printer

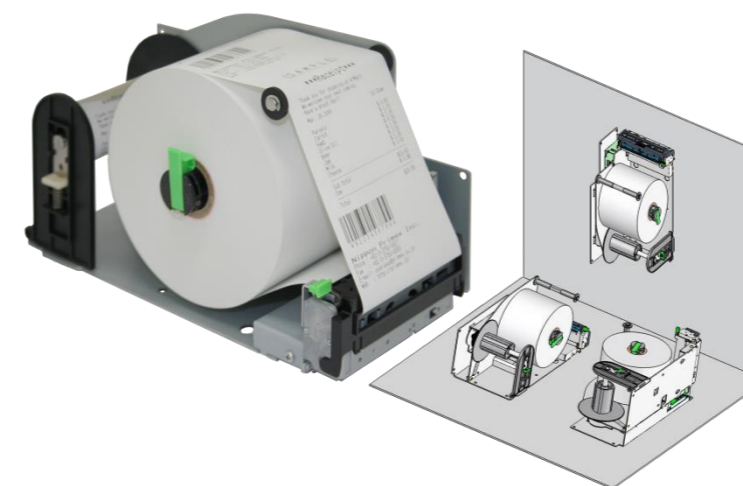
Model name	NP-P2081D-W / NP-P2081D-B
Print method	Direct line thermal dot
Print speed	Max.75mm/sec.
Resolution	8dots/mm (203dpi)
Number of dots / line	384dots
Paper width	58mm
Print width	48mm
Paper diameter	Max.φ40mm
Character	English, Polish, Russian, Scandinavian, Turkish
Barcode	UPC-A, UPC-E, EAN-13, EAN-8, CODE39, ITF, CODABAR, CODE128, QR Code (model2)
Interface	USB (V2.0 full speed) and Serial (RS232C)
Cutter	Tear Bar
Operating voltage	DC5V~9V
External dimensions	79.5(W) x67.4(D) x77.0(H)mm

P.7

Journal Printers

NP-J312D

**Large paper holder up to 120 mm O.D.
3 mounting ways for easy installation**



Model name	NP-J312D
Print method	Direct line thermal dot
Print speed	Max.100 mm/sec
Resolution	8dots/mm (203dpi)
Number of dots / line	576dots
Paper width	80mm
Print width	72mm
Paper diameter	Max.φ120mm
Character	International, English, Polish, Russian, Scandinavian, Turkish, Japanese
Barcode	UPC-A, UPC-E, EAN-13, EAN-8, CODE39, ITF, CODABAR, CODE128, CODE93, QR Code (model2)
Interface	USB (V2.0 FULL SPEED) and Serial (RS232C)
Operating voltage	DC24V
External dimensions	124.1(W)x271.9(D)x137.6(H)mm

*Specifications are tentative.

NP-2551D / NP-3551D

Stable winder structure by two-sided flange

High speed

NP-3551



Model name	NP-2551D	NP-3551D
Print method	Direct line thermal dot	
Print speed	Max.150 mm/sec	
Resolution	8dots/mm (203dpi)	
Number of dots / line	416dots (Default)	448dots (Option) 576dots (Default) 640dots (Option)
Paper width	58mm (Default)	60mm (Option) 80mm (Default) 76mm (Option)
Print width	52mm (Default)	56mm (Option) 72mm (Default) 80mm (Option)
Paper diameter	Max.φ83mm	
Character	International, English, Greek, Polish, Russian, Scandinavian, Turkish, Chinese, Korean, Japanese	
Barcode	UPC-A, UPC-E, EAN-13, EAN-8, CODE39, ITF, CODABAR, CODE128	
Interface	USB (V2.0 FULL SPEED) and Serial (RS232C)	
Operating voltage	DC24V	
External dimensions	110(W)x241(D)x110(H)mm	131(W)x241(D)x110(H)mm

Receipt Printers

NP-211D

Jam prevention

Paper jam free structure

- Paper jam free
- Compact and Light weight
- Low price



Model name	NP-211D
Print method	Direct line thermal dot
Print speed	Max.50mm/sec.
Resolution	8dots/mm (203dpi)
Number of dots / line	384dots
Paper width	58mm
Print width	48mm
Paper diameter	Max.φ70mm
Character	International, English, Greek, Polish, Russian, Scandinavian, Turkish, Chinese, Korean
Barcode	UPC-A, UPC-E, EAN-13, EAN-8, CODE39, ITF, CODABAR, CODE128
Interface	USB (V2.0 full speed) and RS232C
Cutter	Tear bar
Operating voltage	DC7~14V
External dimensions	84.0(W)x117.6(D)x77.5(H)mm

NP-2411T / NP-3411T

For ticket cutting off

- Panel mounting solution

NP-3411T



Model name	NP-2411T	NP-3411T
Print method	Direct Line thermal dot	
Print speed	Max.150mm/sec.	
Resolution	8dots/mm (203dpi)	
Number of dots/line	416dots(Default)	432dots 576dots (Default) 560dots
Paper width	58mm(Default)	60mm 80mm(Default) 76mm
Print width	52mm(Default)	54mm 72mm(Default) 69mm
Paper diameter	Max.φ83mm	Max.φ83mm
Character	International, English, Greek, Polish, Russian, Scandinavian, Turkish, Chinese, Korean, Japanese	
Barcode	UPC-A, UPC-E, EAN-13, EAN-8, CODE39, ITF, CODABAR, CODE128, QR Code (model2)	
Interface	USB (V2.0 full speed) and Serial (RS232C)	
Cutter	Full cut and Partial cut (by command)	
Operating voltage	DC24V	
External dimensions	103.6(W)x103.4(D) x142.5(H)mm	124.6(W)x103.4(D) x142.5(H)mm

P.8