



AsuraCPRNT™
Reach out and touch the future...

ASURA
CPRNT



“Innovation with a difference.”

stair



**The
Smallest,
Super Stylish
User
Engagement
Tool
Available
Today**

Just 38cm high

Perfect for

Desk Top Use

In-Store Shelf Edge Use

Mini Kiosk

And so much more

*Not much bigger
than a bottle of wine*

180 (w) x 162 (d) x 380 (h) mm



“All-in-One”

& just 38cm high!

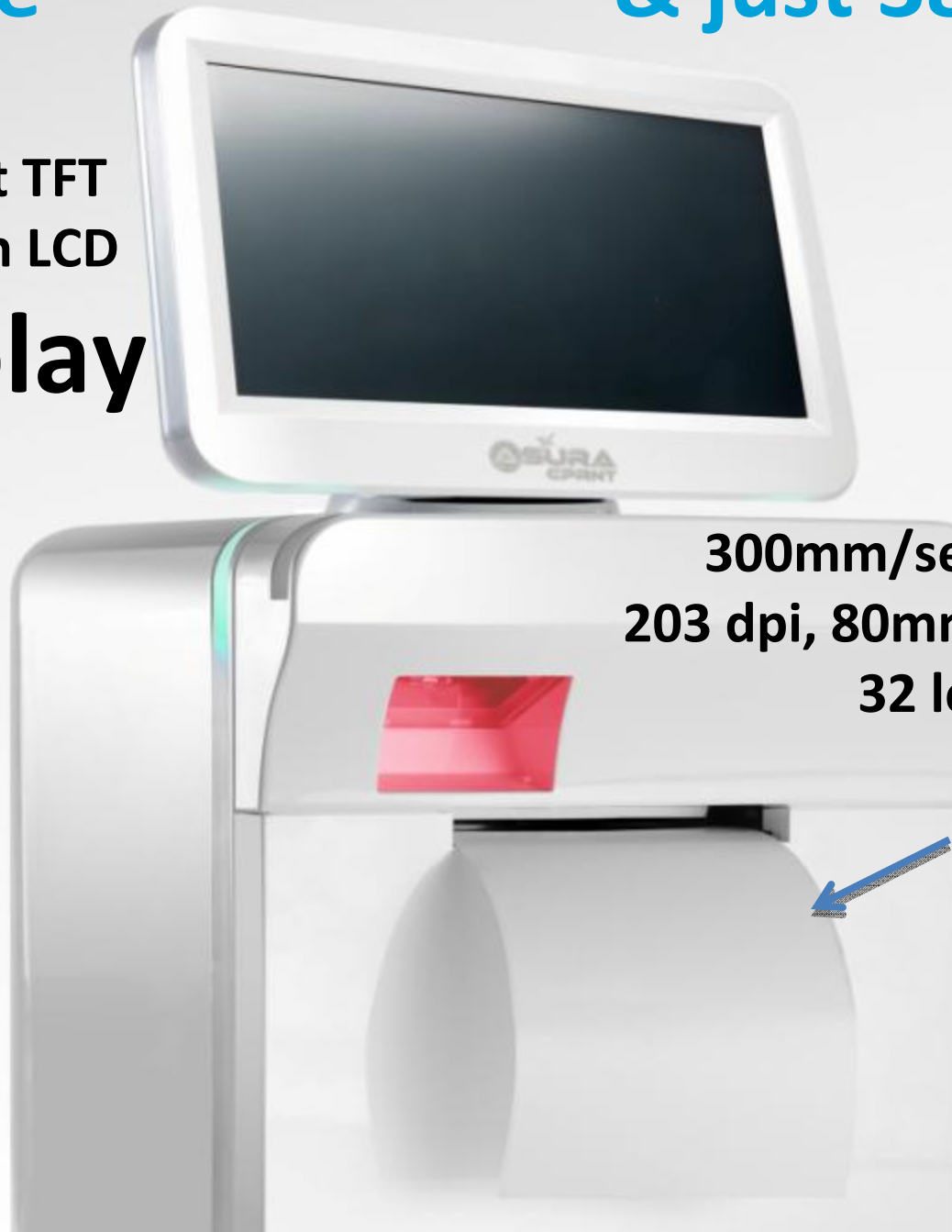
**Swivel & Tilt TFT
Touchscreen LCD**

7” Display

**Fast
ARM CPU**

**300mm/sec. print speed,
203 dpi, 80mm wide output,
32 level Grey Scale**

Printer





Swivel & Tilt TFT Touchscreen LCD

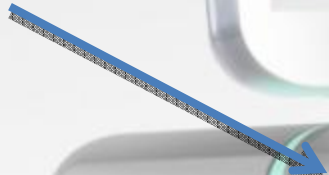
7" Display & High Speed Printer



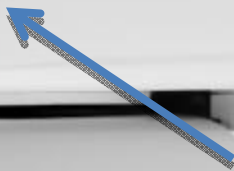
“All-in-One”

& just 38cm high!

**Magnetic
Stripe
Reader
Option**



**Plus a Combined
MSR / Barcode
Reader option**



**2D
Barcode
Reader
Option**





High connectivity with other technologies such as biometric scanners, NCF readers, cameras and much more using the 4 USB-host ports. 3G connectivity & WiFi option also available

Options in stock

✧ **Asura MSR & BCR Module 39590800**

Combined 2D Honeywell Scanner with signature recognition & LCD Mobile reflection feature / Encrypted Magnetic Stripe Reader

✧ **Asura BCR Module 39590820**

2D Honeywell Scanner with signature recognition & LCD Mobile reflection feature

✧ **Asura MSR Module 39590810**

Encrypted Magnetic Stripe Reader

✧ **LOW Cost WiFi Dongle 99250242**

✧ **NFC** (launch date TBC)



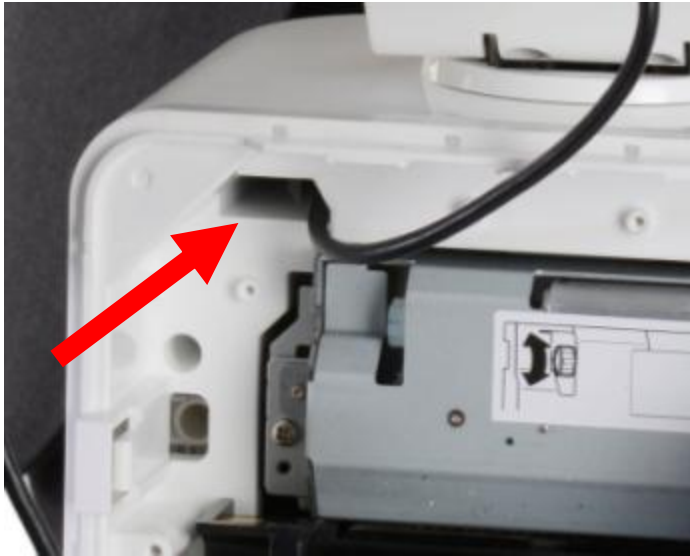


- ✦ Designed for OS agnostic printing from any device with a web browser - No native app required“
- ✦ Driverless printing of all receipt data supporting HTML & JavaScript standards

✦ Opens future avenues for Advertising or Receipt Sponsorship and *SIMPLE* Electronic Receipting



High connectivity



Simple Effective Design

USB Channels on either side allow easy access to the 4 USB host ports for anything YOU want to add



**“All-in-One”
high!**

& just 38cm

Fast CPU



StarPRINT[★] Intelligence

The World's 1st Interactive Communication Platform & Printer

Star's development Tools for the AsuraCPRNT have been made as open as possible so that developers are able to work with the tools and technologies that they already know - just request a log-in from support@Star-EMEA.com

**Linux™ & Android™ SDKs available
supporting Qt, Java, C++ etc.**

plus immediate ability to run traditional
Windows / Linux desktop POS solutions
using the ACP's remote desktop protocol /
thin client capabilities



TEST OUR SOFTWARE WITHOUT COMMITMENT

Request your log-in password from Support @Star-EMEA.com



AsuraCPRNT

LATEST DEVELOPMENTS

HTML5 using new Secure AsuraBrowser Modern, HTML5 standards compatible WebKit based browser with full support for the latest features, including audio, local storage & databases, CSS3, canvas, SSL & some original features.

Fully compatible with all common JavaScript toolkits e.g. jQuery enabling rich, full featured user interfaces & animations

Built-in JavaScript API provides direct access to the hardware

Built-in web browser designed to be customer facing with a secure, full-screen experience / no user navigation controls or any way to access the underlying OS.



AsuraCPRNT

LATEST DEVELOPMENTS

HTML 5 Off line Storage allowing for off-line trading – a standard browser feature. using a temporarily downloaded customer database which is then uploaded when the internet connection is re-established.

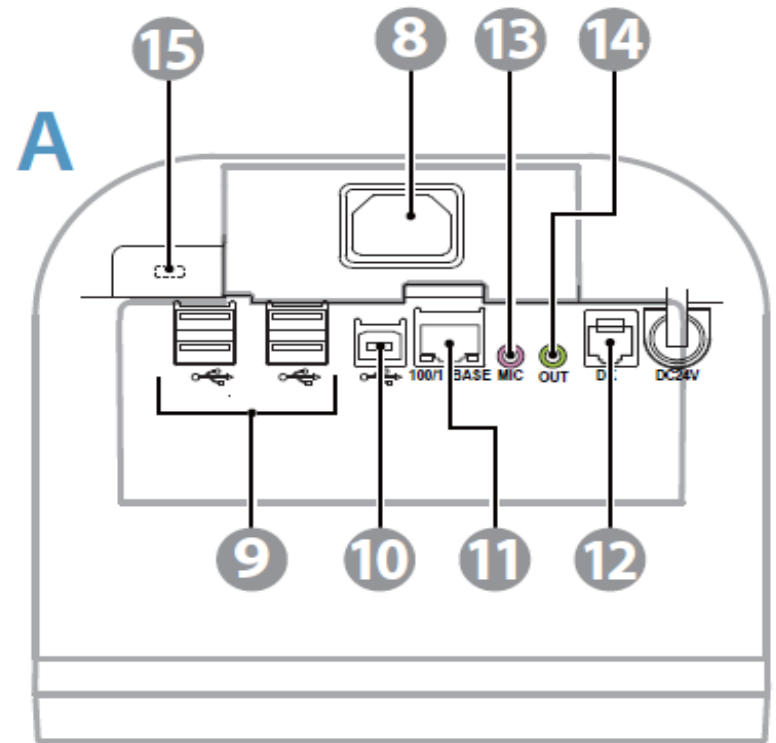
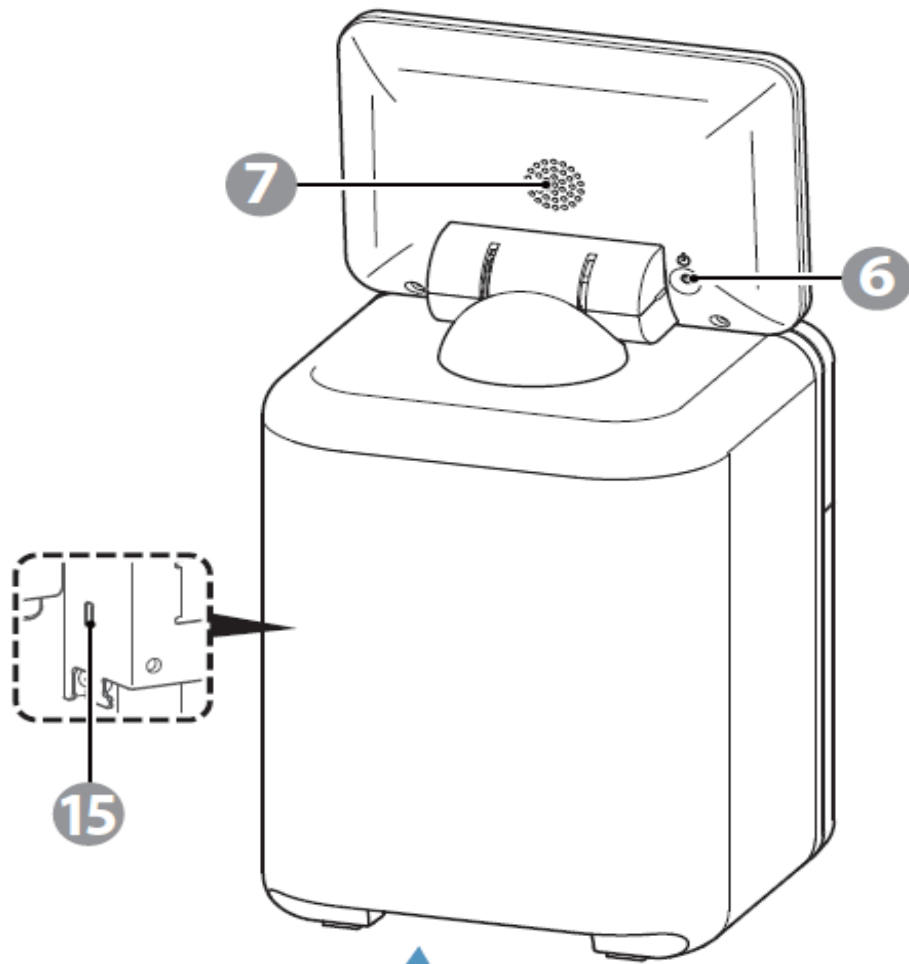


- ✧ USB-Host x 4 (Type A)
- ✧ USB-Device x 1 (Type B)
- ✧ Ethernet (100/10 Base T)
- ✧ Audio Line out
- ✧ Internal Speaker
- ✧ Internal Microphone connection
- ✧ Cash Drawer Connector
- ✧ Micro SDHC up to 32Gb

With room to add what you need 3G / WiFi Dongles etc

Connectivity





6 "App controlled Soft Power Button"
7 Speaker

8 AC inlet

9 USB ports (host) × 4

10 USB port (device)

11 Ethernet port

12 Drawer kick connector

13 Microphone input jack (pink)

14 Line out (green)

15 Security slot

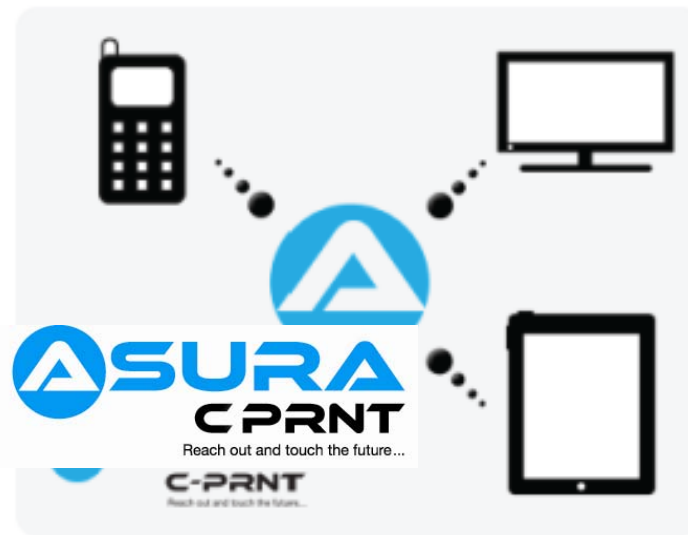
The AsuraCPRNT also has the ability to drive applications and web content to other digital devices such as smart screens, customers' smart phones, merchant tablets and store kiosks



Asura Mobile

The ACP has been designed to integrate with today & tomorrow 's Mobile infrastructure

 Connected



Connect to phones, tablets and other mobile devices.



DIGITAL SIGNAGE

RUN IN-STORE PROMOTIONS / PRICE CHECKER / ENDLESS AISLE /

DIGITAL SIGNAGE etc. **all at the same time!**



MULTI-TASKING

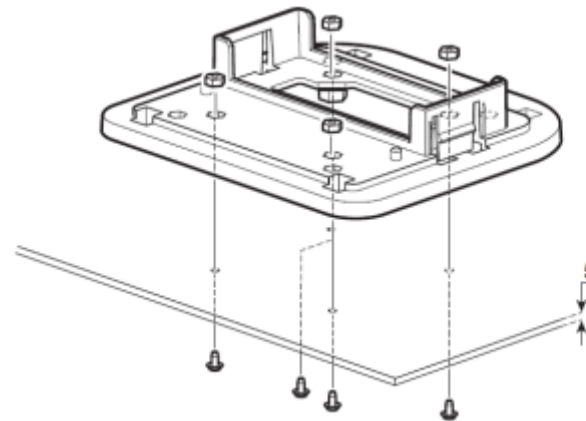
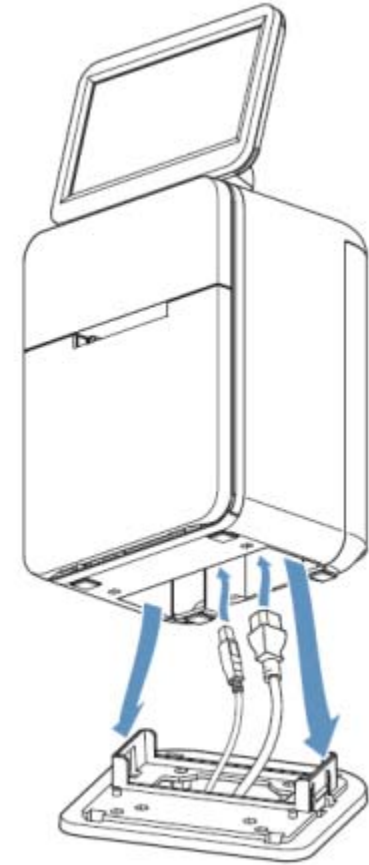
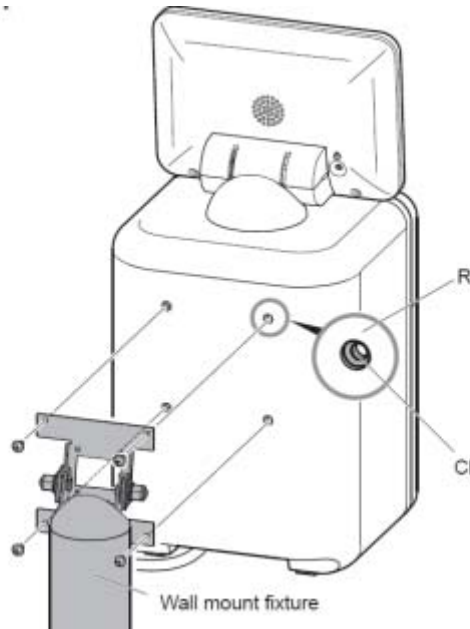
**INTERNAL PRINTER
TO PRODUCE
INSTANT COUPONS
/ PROMOTIONS ETC.**



Flexible Mounting



Wall Mount



Secure Base Stand

Self standing Pole Mount Options for one or two AsuraCPRNTs on VESA mounts

All ACPs are supplied with push out holes on the back plate for standard VESA mount use

Graphic Holders / Battery options can be added

The secure Base Stand which fixes the unit to the counter / desktop is supplied with the AsuraCPRNT in the box.





CUSTOMISE YOUR ASURACPRNT

✦ FOR MASS OR ONE OFF INSTALLATIONS
Simple top & bottom covers can be produced and added when needed.





It is not just a Printer

It is not just a Kiosk

It is not just a Computer

The latest communication technologies

combined with the powerful ARM based processor have resulted in a powerful solution which can work independently as a thin client server, mini kiosk or even POS / Information terminal depending on the software and options added. Or it can be implemented into almost any infrastructure for customer / user engagement with the added advantage of flexible location from shelf edge, wall, counter top or even pole mounted.

Applications

All Industries

AIRLINES

BANKING

GOVERNMENT & SCHOOLS

Internal Card payment Systems for Canteens etc.

Queue Management

Payment Terminals

HEALTH

RETAIL

- Pharmacy Prescriptions
- Gift Vouchers
- Point-of-Sale Receipting
- Stock and Price Checker
- Retail Couponing
- Queue Management
- Market Research Tool

And so much more...

HOSPITALITY

- Kitchen Printing
- QSR Order Building
- Loyalty Programmes
- Valet Parking Management
- Queue Management

And so much more...



ursion Bookings can be promoted and sold etc. using the WebPRNT

Queue Management in All Areas

MULTI-FUNCTIONING “All-in-One” Interactive Connected Peripheral - Typical Working Application

The ACP unit here is running a doctors surgery system on Android & iOS devices

1. Patient check-in kiosk on ACP unit
2. Digital signage with queue management
3. Doctor's device to call next patient and link to surgery system
4. Receptionist tablet to check patients in, make appointments etc.





Qminder

Queue Management

You can wait for service here with **Qminder** smartphone app

And your phone will wait in line for you!



Android Market • AppStore



Qminder
www.qminderapp.com



HOSPITALITY

- **Loyalty System with MSR / QR coded Card**
- **Valet Parking Management** with printed car receipt and legal details
- **Drink Orders** with printed collection / payment ticket
- **Queue Management** Book your table – number of people, time wanted etc. & leave a mobile number
- **QSR Order building** Design your pizza / burger in-line with order number printout





RETAIL IN-STORE APPLICATIONS

- ✦ **Door Entry** – Welcome / Vouchers / Special Offers / Cross Selling / Partner offers
- ✦ **Price Checker / Stock Checker / immediate Order system** due to lack of stock or size etc. with loyalty card / mobile phone
- ✦ **Virtual Help desk** straight thru' to customer services
- ✦ **Deli Counter**
 - Queue Management – coupons, recipe ideas
 - Sandwiches / Pizza's – calorie content etc (Subway)
- ✦ **High Value Area**
 - Increase Impulsive Purchase opportunities
 - Help line Product Information
 - Coupons Stock
- ✦ **Market Research Tool**
- ✦ **Endless Aisle Tool** “Click & Collect” ID thru' loyalty card
- ✦ **Loyalty** increase redemption statistics
- ✦ **POS** simple & fast interactive couponing Yes/No
- ✦ **All Kiosk Applications** Kiosk manufacturers finding hard to create cheap enough compact unit with possible mobile abilities



Endless Aisle / Stock Checker

In Store
Customer Interaction

asist →



EVOKE
interactive kiosks







Reach out and touch the future...



Food Labelling, Promotional Marketing & Queue Management

BIZERBA

... closer to your business





AsuraCPRNT™
Reach out and touch the future...

ASURA
CPRNT



“Innovation with a difference.”

stair